



# Select Series Modern Wrap Light

## Product Specifications



The TCP Select Series Modern Wrap Light offers superior light output in a maintenance-free fixture. With a sleek, low profile design, and a glare free, impact resistant frosted lens, you can install these fixtures and relax. Installation is quick and easy, and provides for easy with options for daisy chaining units end to end.

### Reasons to choose the Select Series Modern Wrap Light from TCP

- Energy efficient LED luminaire
- Smooth, uniform dimming (0-10V)
- Instant on, no warm up time for full light
- Long life: 50,000 hours
- Replaces traditional linear fluorescent systems
- Heavy-duty steel housing

### Ideal Applications

- Warehouses & Distribution Centers
- Commercial Facilities
- Aisles (Open & Stock)
- Restrooms
- Corridors
- Stairwells
- Hallways





# Select Series Modern Wrap Light

## Applications

TCP's Select Series Modern Wrap Light offers a versatile solution for both new construction and replacing old linear fluorescent systems. With its durable construction, superior lighting output, and long lifespan, it is perfect for a wide variety of commercial applications.

## Construction

- Housing: durable steel construction
- Finish: powder coated, post-painted white
- Easy surface mount or suspended

## Electrical

- Universal 120-277V
- cULus damp location rated
- 0-10V dimming driver (standard)
- 115 lumens per watt
- Easy-to-access wiring compartment
- System rated for long 50,000 hour life

## Optics

- High impact, acrylic lens comes standard to protect the LEDs and minimize glare
- Delivers bright, white light and excellent uniformity



### Listings

UL and cUL listed  
DLC 5.1 Standard  
RoHS Compliant

### Warranty

Five year limited warranty against defects in manufacturing.

## Catalog Ordering Matrix

FAMILY	SIZE	VOLTAGE	DIMMING	WATTAGE LUMEN PACKAGE	COLOR TEMPERATURE
<b>LOW PROFILE 5.3" MODEL</b>					
<b>MWR</b> – Modern Wrap Light	<b>4</b> – 4 Foot	<b>U</b> – 120V-277V	<b>ZD</b> – 0-10V Dimming	<b>SW4</b> – 48/40/32W (5520/4600/3680L)	<b>CCT</b> – 35K/40K/50K Color Selectable

<sup>1</sup> Approximate lumen output. Actual performance may vary based on CCT, options selected and end user application.

<sup>2</sup> Actual wattage may differ by +/- 10%.

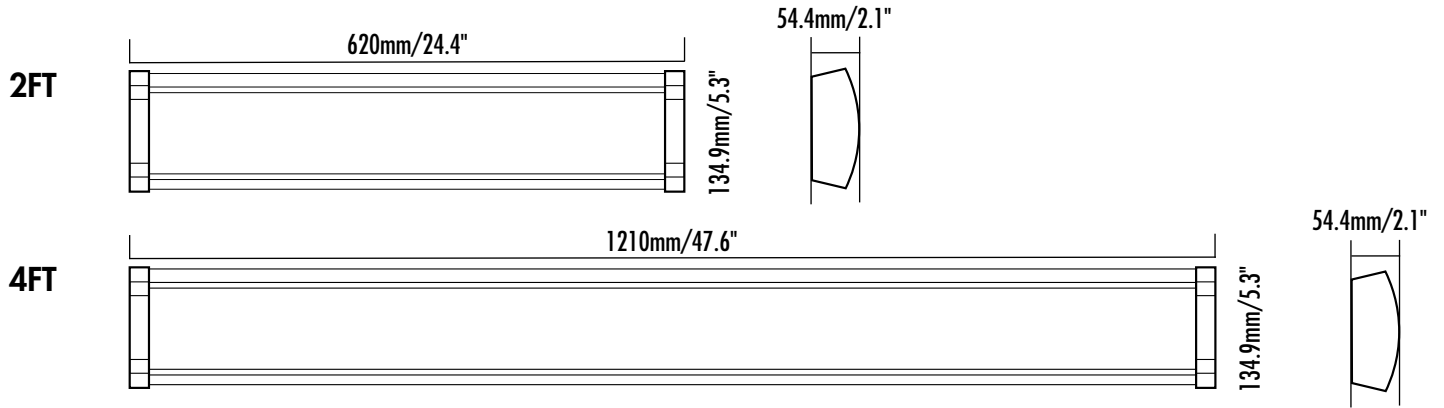
For the most up-to-date specs and warranty information, please visit [www.tcp.com](http://www.tcp.com)





# Select Series Modern Wrap Light

## Dimensions and Mounting Data



For the most up-to-date specs and warranty information, please visit [www.tcpi.com](http://www.tcpi.com)





# Select Series Modern Wrap Light

Photometric Report...Coming Soon

For the most up-to-date specs and warranty information, please visit [www.tcp.com](http://www.tcp.com)

**TCP®**

325 Campus Dr. | Aurora, Ohio 44202 | P: 800-324-1496 | [tcp.com](http://tcp.com)

©TCP OCT 2024/WFS58650

Not all versions of this product are qualified on the DLC QPL. To view our DLC qualified products, please consult the DLC Qualified Products List at [www.designlights.org/qpl](http://www.designlights.org/qpl).



**RoHS**  
COMPLIANT

**5** YEAR  
WARRANTY