



LED Universal Combo Emergency Exit Sign for Wet Locations

Product Specifications



The LED Universal Combo Emergency Exit Sign for wet locations provides a single solution for exit identification and illumination. Available with vivid red/green lettering, the sign can be easily mounted from ceilings or walls to improve building safety. All models incorporate a battery backup, which keeps the sign illuminated for at least 90 minutes after power is lost.

Reasons to Choose LED Universal Combo Emergency Exit Sign for Wet Locations from TCP

- Long-lasting, ultra-bright white LED lamp heads and red or green LED lettering
- Battery backup features 6V long life, rechargeable NiCd battery
- UL listed for wet locations
- Transfer switch automatically connects to internal battery for minimum 90-minute emergency illumination

Ideal Applications

- Retail
- Schools
- Hospitals
- Industrial

Construction

- 5VA flame retardant, UV stabilized polycarbonate finish
- Knockouts provided for conduit feed applications
- Corrosion resistant enclosure with engineering grade silicone gasket
- EZ snap-out Chevron directional indicators



Specifications

Wattage..... 1.2W per lamp head
 Voltage..... Dual 120/277V
 Battery 6V NiCd
 Min Start Temp..... -4°F (-20°C)
 Max Oper Temp 122°F (50°C)
 Warranty Five-year warranty on electronics and housing, battery prorated for five years

Electrical

- Dual 120/277 voltage
- 6V long life, maintenance-free, rechargeable NiCd battery
- Internal, solid-state transfer switch automatically connects to internal battery to LED board for minimum 90-minute emergency illumination
- Fully automatic, solid-state, two rate charger initiates battery charging to recharge a discharged battery in 24 hours

Optics

- 1.2W per head
- Long-life, energy-efficient red or green LED illumination

Installation

- Universal knockout pattern on backplate for wall mount
- Suitable for wall or ceiling mount



Listings

UL Listed for Wet Locations, Certified to CEC under Title 20 Regulations, UL924, NFPA 101 Life Safety Code, NEC, OSHA, Local and State Codes

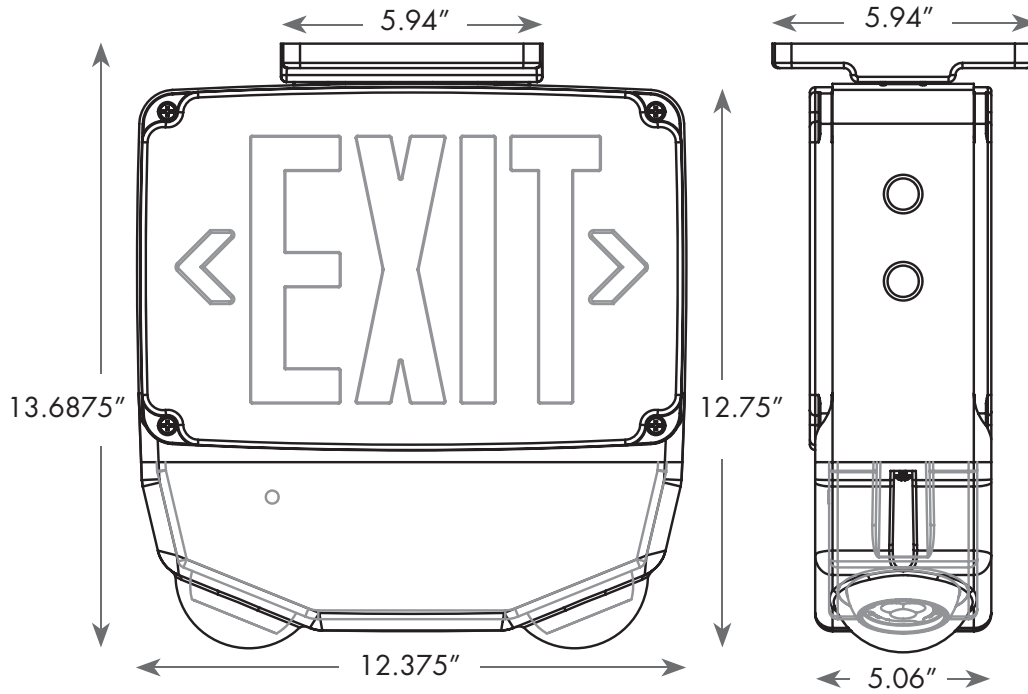
Warranty

Five-year warranty on electronics and housing, battery prorated for five years

Catalog Ordering Matrix: CESD6VWHRGWL

FAMILY	VOLTAGE	BATTERY	HOUSING	LETTERING	FEATURES
CES - Combo Exit/Emergency Sign	D - Dual 120/277	6V - 6V Nickel Cadmium Battery	WH - White	RG - Red/Green Selectable	WL - Wet Location

Dimensions



Center-to-Center Spacing Guidelines



1	0.30	0.43	0.59	0.76	0.98	1.22	1.37	1.37	1.21	0.97	0.74	0.70	0.75	0.92	1.09	1.13	1.04	0.89	0.68	0.50	0.34	0.24	0.20	0.14	
2	0.36	0.50	0.77	1.02	1.26	1.51	1.69	1.60	1.43	1.15	0.89	0.83	0.93	1.20	1.51	1.67	1.57	1.33	1.03	0.71	0.52	0.35	0.24	0.18	
3	0.43	0.60	0.82	1.20	1.51	1.77	1.90	1.84	1.53	1.20	0.95	0.89	1.03	1.44	1.78	1.93	1.84	1.50	1.15	0.78	0.55	0.38	0.27	0.20	
4	0.42	0.60	0.85	1.13	1.44	1.70	1.82	1.70	1.38	1.12	0.89	0.87	1.05	1.50	1.83	2.09	2.00	1.68	1.26	0.94	0.66	0.40	0.31	0.23	
5	0.44	0.61	0.80	1.06	1.29	1.45	1.50	1.40	1.12	0.96	0.78	0.78	0.97	1.34	1.70	1.93	1.87	1.61	1.25	0.91	0.67	0.48	0.32	0.23	
6	0.37	0.54	0.69	0.86	1.05	1.10	1.12	1.04	0.87	0.70	0.62	0.64	0.80	1.06	1.34	1.58	1.55	1.37	1.12	0.90	0.68	0.50	0.34	0.24	
	12	11	10	9	8	7	6	5	4	3	2	1	0	1	2	3	4	5	6	7	8	9	10	11	12

Meets NFPA 101 Requirements for 24'+ center-to-center - 6'+ path of egress 0' from wall - 9' mounting height.

TECHNOLOGY CAST IN A BEAUTIFUL LIGHT

For over 30 years, TCP has been designing, developing and delivering energy-efficient lighting into the market. Thanks to our cutting-edge technology and manufacturing expertise, we have shipped billions of high quality lighting products. With TCP, you can count on a lighting product that is designed to meet the needs of the market, that transforms your surroundings and envelopes you in warmth. Lighting that generates beauty with every flip of the switch.