



# Select Series General Purpose Strip Retrofit Kit

## Product Specifications



TCP's Select Series General Purpose Strip Retrofit Kits are designed to easily replace the fluorescent lamps and ballast in an existing fluorescent strip fixture with an integrated LED lighting solution. The universal design fits most 4.25" and 5.25" wide T8/T12 fluorescent strips.

These kits significantly reduce energy consumption compared to the existing fluorescent systems, providing instant energy savings along with the ability to take advantage of potential utility rebates. A long 50,000 hour rated life significantly decreases maintenance labor and material costs over the life of the system.

TCP's Select Series General Purpose Strip Retrofit Kits incorporate a ribbed, frosted white diffuser lens to protect the LEDs and minimize glare, while delivering bright, uniform light.

### Reasons to choose the Select Series General Purpose Strip Retrofit Kits from TCP

- Uses up to 58% less energy than traditional fluorescent systems for instant energy savings and potential rebate eligibility
- 50,000 hour rated life minimizes replacements and labor costs
- 0-10V dimming driver comes standard for smooth, continuous dimming
- Excellent color consistency and CRI enhance color of focal point while maintaining uniformity throughout a lighting installation
- Mercury-free construction is great for all environments
- Surface mount, suspended or pendant installation options makes it easy to install in both new and retrofit applications

### Ideal Applications

- General Lighting
- Task Lighting
- Aisles
- Warehouses
- Storage
- Manufacturing Facilities
- Retail



# Select Series General Purpose Strip Retrofit Kit

## Specifications

Input Line Voltage ..... 120-277 VAC  
 Input Line Frequency (Hz) ..... 50/60Hz  
 Lumens  
   SW2 Package  
     4 ft: ..... 2500/2900/4200L  
     8 ft: ..... 4200/5200/11,000L  
   SW4 Package  
     4 ft: ..... 4200/5200/6000L  
     8 ft: ..... 8500/9800/11,000L  
 Wattage  
   SW2 Package  
     4 ft: ..... 18/22/32W  
     8 ft: ..... 32/40/46W  
   SW4 Package  
     4 ft: ..... 32/40/46W  
     8 ft: ..... 65/75/85W  
 Lumens per Watt (LPW)..... >130 LPW  
 Color Temperature (CCT) ..... 35/40/50K Selectable  
 Dimming ..... 0-10V (standard)  
 Rated Life ..... >50,000 hours  
 Operating Temperature ..... -20°C to 50°C  
 CRI ..... 80+  
 Power Factor ..... >0.9  
 THD ..... <20%



## Warranty

Five year limited warranty against defects in manufacturing

## Replacement Comparison

SYSTEM	BALLAST FACTOR	INPUT WATTS*	LED ENERGY SAVINGS
<b>TCP LED Strip Luminaire – 4 FT</b>	—	<b>32W</b>	—
2 Lamp 32W HBF	1.18	65	51%
2 Lamp 32W NBF	0.88	59	46%
<b>TCP LED Strip Luminaire – 8 FT</b>	—	<b>65W</b>	—
4 Lamp 32W T8 HBF	1.18	153	58%
4 Lamp 32W T8 NBF	0.88	112	42%

\*ACTUAL WATTAGE MAY DIFFER BY +/-10% WHEN OPERATING BETWEEN 120-277V.



# Select Series General Purpose Strip Retrofit Kit

## Applications

TCP's Select Series General Purpose Strip Retrofit Kits easily replace existing fluorescent lamp and ballasts with an integrated LED system in 4 and 8 foot strip fixtures. These kits deliver bright, uniform light and long life, with the benefits of energy savings and low maintenance. Applications include general lighting, task lighting, aisles, warehouses, storage, manufacturing facilities and retail spaces.

## Construction

- Visually appealing slim, low-profile design
- Heavy duty aluminum housing
- Durable UV stabilized powder coat finish
- Easy surface mounts onto housing of existing fluorescent strip fixture—universal design fits most 4.25" and 5.25" wide T8/T12 fluorescent strips

## Electrical

- Universal 120-277V
- 0-10V dimming (standard)
- Long 50,000 hour rated life
- cULus damp location rated
- Optional emergency back-up
- Optional occupancy sensors with daylight harvesting (sold separately)

## Optics

- Durable ribbed, frosted white diffuser lens
- Glare-free light distribution

Item Number	
Notes	Type



### Listings

cULus Listed – damp location rated  
RoHS Compliant

### Warranty

Five year limited warranty against defects in manufacturing

### Installation

Surface, suspended or pendant mounted

Before installation, please consult your local ordinances and building codes for compliance

## Catalog Ordering Matrix Example: GPR4UZDSW2CCT

FAMILY	SIZE	VOLTAGE	CONTROLS	WATTAGE <sup>1</sup> (Lumen Package <sup>2</sup> )	COLOR TEMPERATURE
GPR – Select Series General Purpose Strip Retrofit Kit	4 – 4 feet	U – 120V-277V	ZD – 0-10V Dimming	SW2 – 18/22/32W (2500/2900/4200L) SW4 – 32/40/46W (4200/5200/6000L)	CCT – 35/40/50K Selectable
	8 – 8 feet			SW2 – 32/40/46W (4200/5200/6000L) SW4 – 65/75/85W (8500/9800/11000L)	

<sup>1</sup> Actual wattage may vary by +/- 10%.

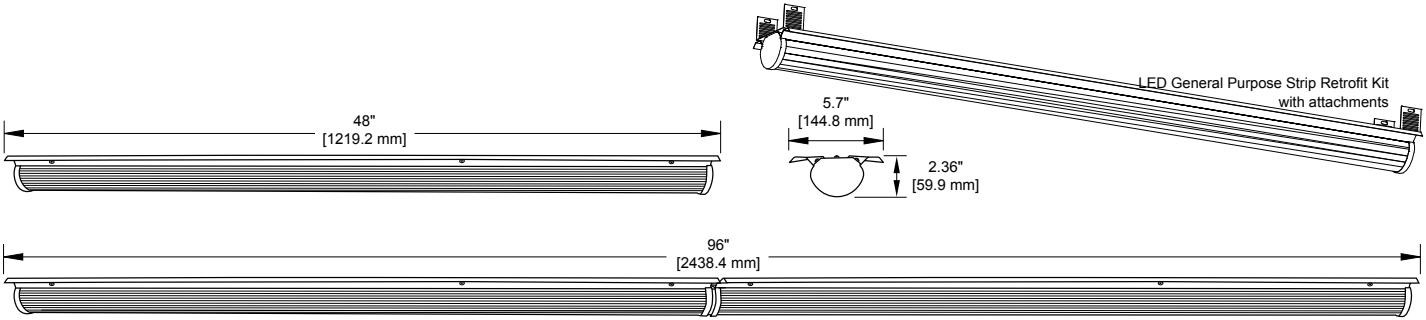
<sup>2</sup> Approximate lumen output. Actual performance may vary based on CCT, options selected and end user application.

For the most up-to-date specs and warranty information, please visit [www.tcpi.com](http://www.tcpi.com)



# Select Series General Purpose Strip Retrofit Kit

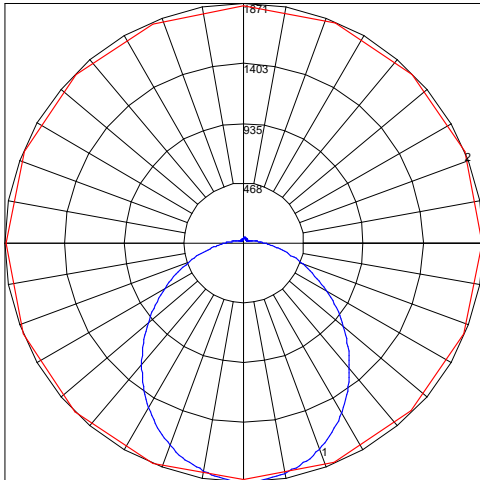
## Dimensions and Mounting Data



## Photometric Report

Based on photometric data for TCP Item#  
GPR4UZDSW4CCT set at 46W and 3500K

### Polar Graph



Maximum Candela = 1870.9 Located At Horizontal Angle = 22.5, Vertical Angle = 1  
# 1 - Vertical Plane Through Horizontal Angles (22.5 - 202.5) (Through Max. Cd.)  
# 2 - Horizontal Cone Through Vertical Angle (1) (Through Max. Cd.)

### Characteristics

Lumens Per Lamp	N.A. (absolute)
Total Lamp Lumens	N.A. (absolute)
Luminaire Lumens	6512
Total Luminaire Efficiency	N.A.
Luminaire Efficacy Rating (LER)	141
Total Luminaire Watts	46.1
Ballast Factor	1.00
CIE Type	Semi-Direct
Spacing Criterion (0-180)	1.22
Spacing Criterion (90-270)	1.30
Spacing Criterion (Diagonal)	1.36
Basic Luminous Shape	Rectangular w/sides
Luminous Length (0-180)	1.22m
Luminous Width (90-270)	0.09m
Luminous Height	0.05m

## Coefficients of Utilization – Zonal Cavity Method

Effective Floor Cavity Reflectance 0.20

RC	80				70				50			30			10			0
RW	70	50	30	10	70	50	30	10	50	30	10	50	30	10	50	30	10	0
0	117	117	117	117	113	113	113	113	105	105	105	99	99	99	92	92	92	89
1	104	99	94	89	100	95	91	87	89	85	82	83	80	78	78	76	74	71
2	94	85	78	71	91	82	76	70	77	71	66	72	67	63	68	64	60	58
3	86	74	66	59	82	72	64	57	67	61	55	63	58	53	59	55	51	48
4	78	66	56	49	75	64	55	48	60	52	47	56	50	45	53	47	43	41
5	72	58	49	42	69	57	48	42	53	46	40	50	44	39	47	42	37	35
6	66	53	43	37	64	51	42	36	48	41	35	45	39	34	43	37	33	30
7	61	48	39	32	59	46	38	32	44	36	31	41	35	30	39	33	29	27
8	57	43	35	29	55	42	34	28	40	33	28	38	31	27	36	30	26	24
9	53	40	31	26	51	39	31	25	37	30	25	35	29	24	33	28	23	21
10	50	37	29	23	48	36	28	23	34	27	22	32	26	22	31	25	21	19

## Zonal Lumen Summary

Zone	Lumens
0-10	175.75
10-20	501.42
20-30	755.64
30-40	905.16
40-50	939.67
50-60	876.06
60-70	732.88
70-80	554.20
80-90	384.67
90-100	260.32
100-110	172.49
110-120	104.00
120-130	57.40
130-140	37.18
140-150	25.43
150-160	16.86
160-170	9.81
170-180	3.40

Specifications and dimensions subject to change without notice.

# TECHNOLOGY CAST IN A BEAUTIFUL LIGHT

For over 30 years, TCP has been designing, developing and delivering energy-efficient lighting into the market. Thanks to our cutting-edge technology and manufacturing expertise, we have shipped billions of high quality lighting products. With TCP, you can count on a lighting product that is designed to meet the needs of the market - that transforms your surroundings and envelopes you in warmth - lighting that generates beauty with every flip of the switch.

Sales:

Date:

Model:

Project:

Rep:

Catalog Number:

Type:

Notes:



For more information on the quality and care TCP can deliver, call us at **800.324.1496** or visit [tcp.com](http://tcp.com)

325 Campus Dr. | Aurora, Ohio 44202 | P: 800.324.1496 | F: 877.487.0516