



LED Round High Bay Battery Backup Unit

Product Specifications

TCP's LED Round High Bay Battery Backup Unit is designed for use with LED UFO High Bay fixtures with 0/1-10V dimmable LED drivers. It allows the LED UFO High Bay to be used for both standard and emergency operation.

Reasons to choose the LED Round High Bay Battery Backup Unit from TCP

- Constant power output 30W
- Universal input range 120V-347V, 50/60Hz
- Optimized design for UFO high bay fixture
- Protection: Over-Voltage, Short-Circuit, Over-Load, Open-Circuit
- Self-diagnostic every month and year
- UL listed for factory and field installation
- IP65 wet location rated
- Simple wiring

Ideal Applications

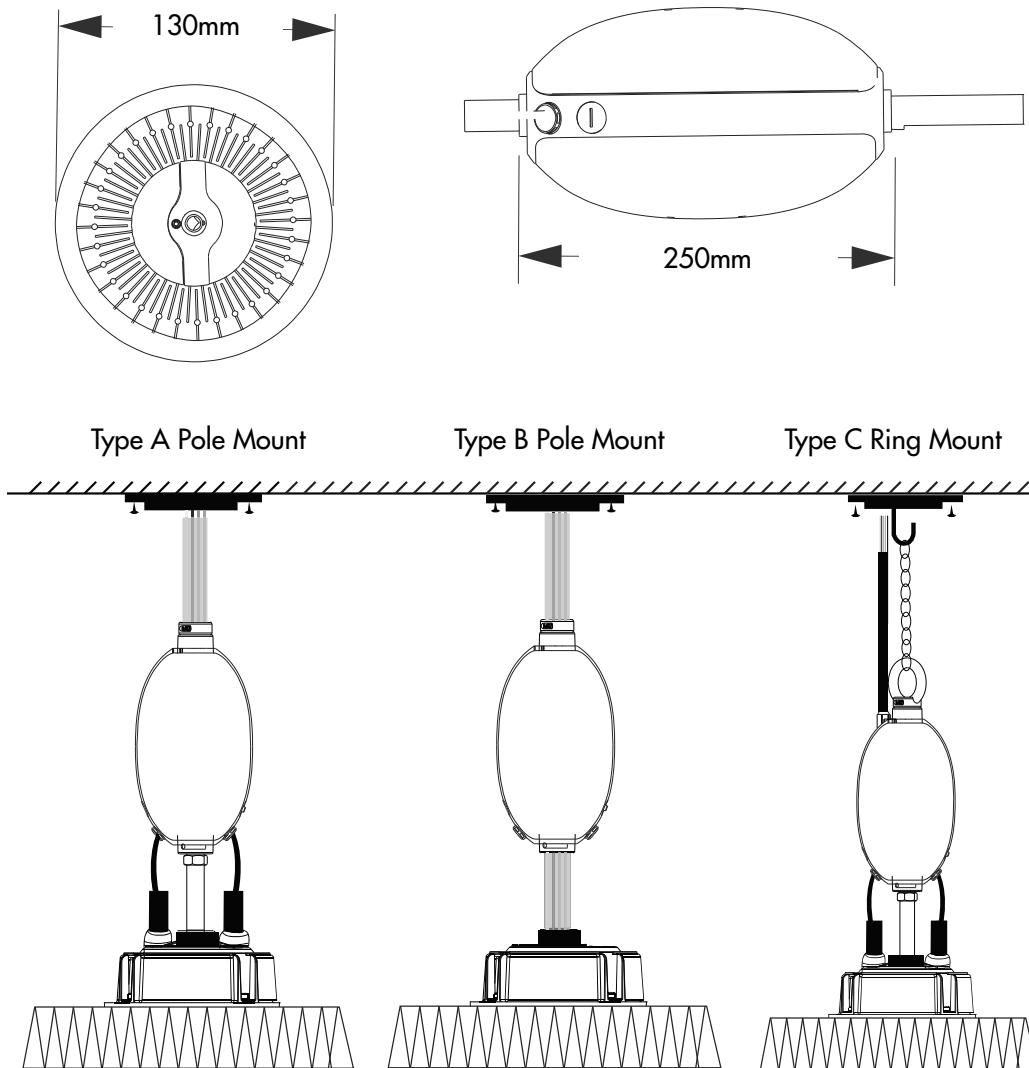
- Warehouses & Distribution Centers
- Commercial Facilities
- Aisles (Open & Stock)
- Retailers
- Schools & Municipalities
- Field Houses & Gymnasiums
- Open Ceiling Designs



Specifications

Input Line Voltage	120-347VAC
Input Line Frequency (Hz)	50/60Hz
Output Voltage.....	<175V DC
Input Current.....	<200mA
Emergency Time.....	> 90 min.
Battery.....	Li-ion battery
Charging Time.....	>24 hours
Output Power	30W
Ratings	cULus, IP65 wet location rated
Warranty.....	5 years

Dimensions and Mounting Data



Specifications and dimensions subject to change without notice.
 For the most up-to-date specs and warranty information, please visit www.tcp.com

TCP
 325 Campus Dr. | Aurora, Ohio 44202 | P: 800-324-1496 | tcp.com



COMPATIBLE TCP UNITS

Select Series UFO High Bay

RHB Series High Bay

ITEM NUMBER: BILDAIP65EM30



Listings

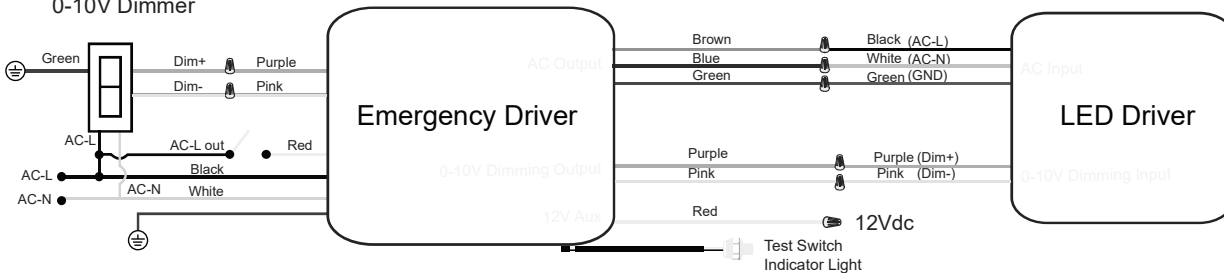
cULus Listed – wet location rated

Warranty

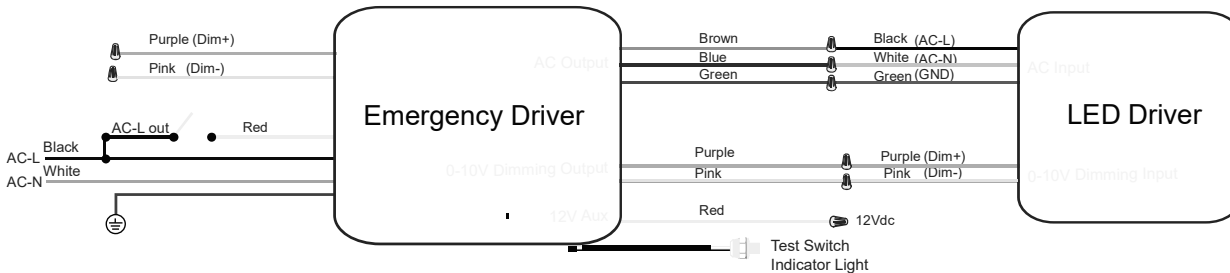
Five year limited warranty against defects in manufacturing.

Wiring Diagrams

1. With dimmer 0-10V Dimmer



2. With wall switch without dimmer

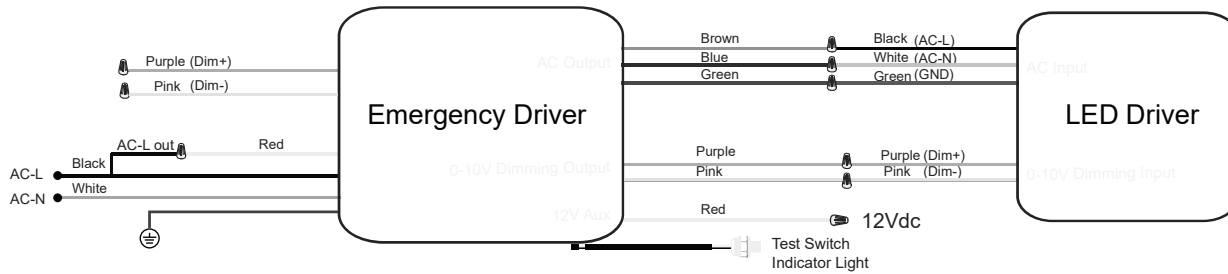


IMPORTANT

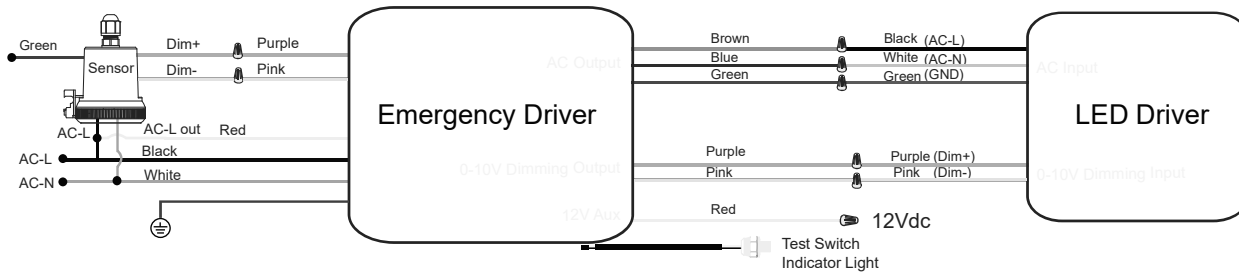
Dimming wires must be connected to UFO LED Driver dimming wires for EM to function properly.
Will not operate if not connected.

Wiring Diagrams

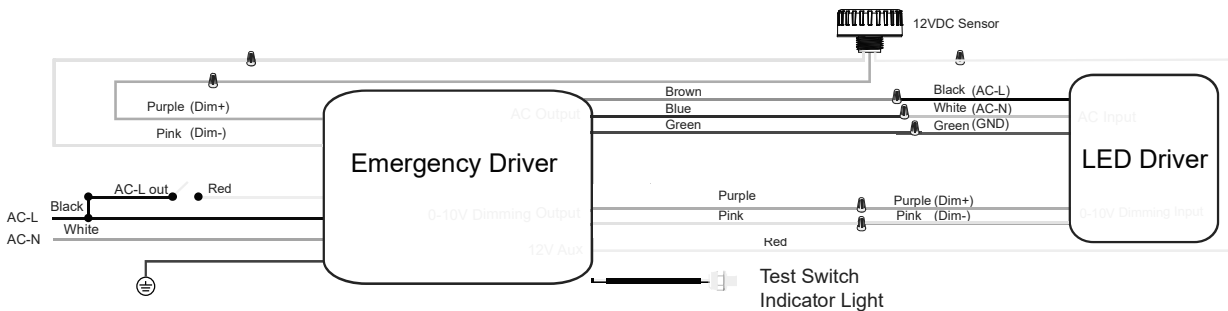
3. With wall switch and dimmer, 24 hour lighting



4. With sensor (120-277/347V)



5. With 12VDC sensor



IMPORTANT

Dimming wires must be connected to UFO LED Driver dimming wires for EM to function properly.
Will not operate if not connected.

TECHNOLOGY CAST IN A BEAUTIFUL LIGHT

For over 30 years, TCP has been designing, developing and delivering energy-efficient lighting into the market. Thanks to our cutting-edge technology and manufacturing expertise, we have shipped billions of high quality lighting products. With TCP, you can count on a lighting product that is designed to meet the needs of the market - that transforms your surroundings and envelopes you in warmth - lighting that generates beauty with every flip of the switch.

Sales:

Date:

Model:

Project:

Rep:

Catalog Number:

Type:

Notes:



For more information on the quality and care TCP can deliver, call us at [800.324.1496](tel:800.324.1496) or visit tcpi.com

325 Campus Dr. | Aurora, Ohio 44202 | P: 800.324.1496 | F: 877.487.0516