



Color Selectable Cloud Flush Mount

Product Specifications



TCP's Color Selectable Cloud Flush Mounts provide a contemporary aesthetic for both residential and commercial applications. Available in a variety of shapes and sizes, the sleek, low-profile flush mounts feature a durable powder-coated steel base and frosted acrylic lens. The flush mounts feature integrated, color selectable LEDs and offer a rated lifetime of 50,000 hours.

Reasons to Choose the Color Selectable Cloud Flush Mount from TCP

- Integrated LED
- Color selectable: 3000K, 4000K or 5000K
- Round, square, and rectangular shape options
- White steel base with acrylic lens
- Three-year limited warranty
- Dimmable

Ideal Applications

- Residential
- Hospitality
- New construction
- Remodeling

Specifications

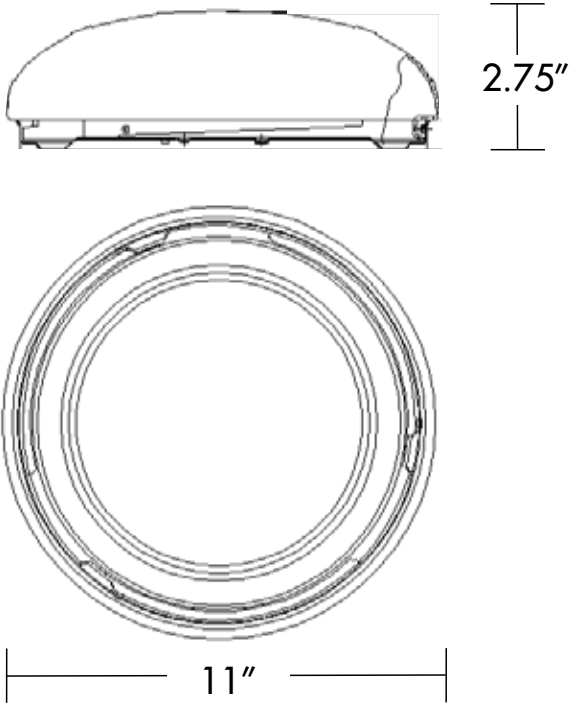
Input Line Voltage	120V	Color	Selectable 3000K, 4000K, 5000K
Input Line Frequency.....	60Hz	Lamp Life (hours).....	50,000
Wattage (W).....	10, 15, 20, 25, 35W	Minimum Starting Temperature	-20°C (-4°F)
Lumens (L).....	700, 1050, 1400, 1750, 2450L	Maximum Operating Temperature.....	50°C (122°F)
LPW	70	Certification	cETLus
CRI.....	80	Warranty.....	3-year limited

Ordering Information

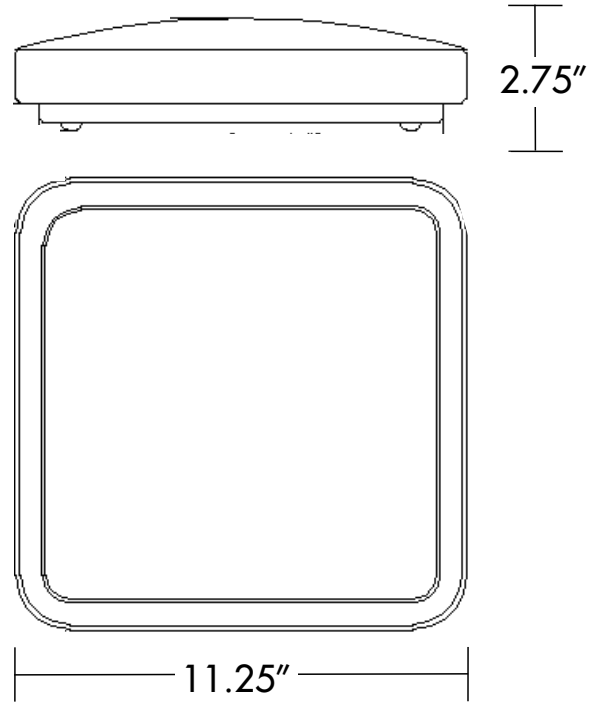
ITEM #	DESCRIPTION	DIMENSIONS	WATTS	LUMENS
CFMRD8DCCT	Cloud Flush Mount Round 8" Dim CCT	11"Dx2-3/4"H	10	700
CFMRD11DCCT	Cloud Flush Mount Round 11" Dim CCT	11"Dx2-3/4"H	15	1050
CFMRD13DCCT	Cloud Flush Mount Round 13" Dim CCT	13"Dx2-3/4"H	20	1400
CFMRD15DCCT	Cloud Flush Mount Round 15" Dim CCT	15"Dx2-3/4"H	25	1750
CFMSQ8DCCT	Cloud Flush Mount Square 8" Dim CCT	11-1/4"Wx2-3/4"H	10	700
CFMSQ11DCCT	Cloud Flush Mount Square 11" Dim CCT	11-1/2"Wx2-3/4"H	15	1050
CFMSQ13DCCT	Cloud Flush Mount Square 13" Dim CCT	13-1/2"Wx2-3/4"H	20	1400
CFMSQ15DCCT	Cloud Flush Mount Square 15" Dim CCT	15-1/2"Wx2-3/4"H	25	1750
CFMREC4FTDCCT	Cloud Flush Mount Rectangle 4' Dim CCT	51"Lx11"Wx4"H	35	2450

Dimensions

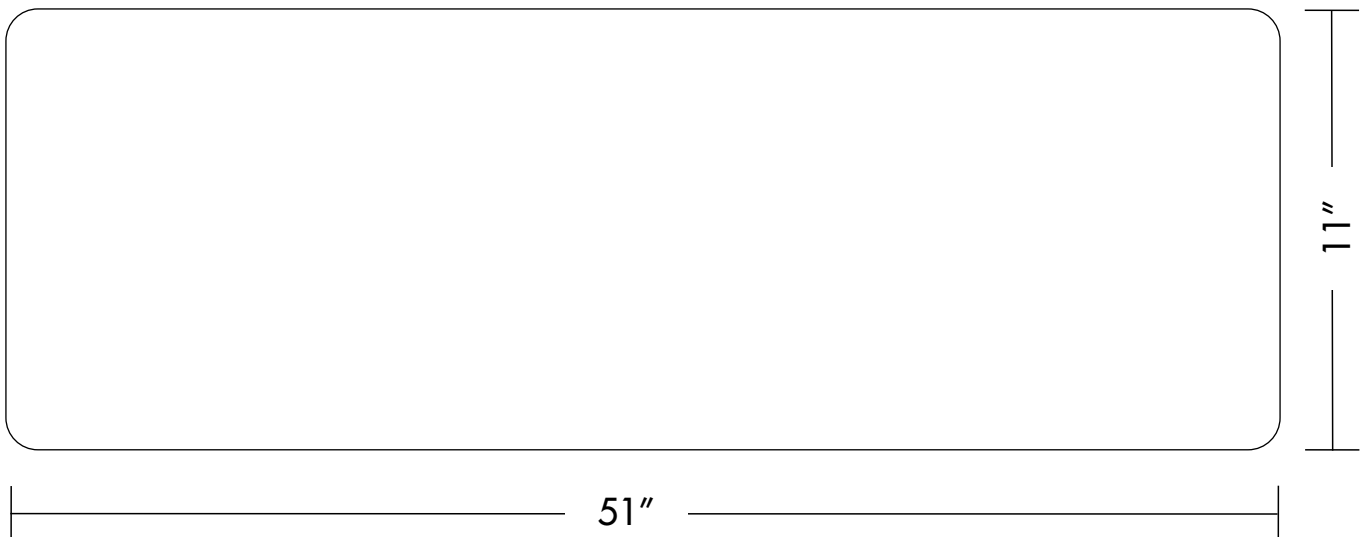
Cloud Flush Mount Round



Cloud Flush Mount Square



Cloud Flush Mount Rectangle



TECHNOLOGY CAST IN A BEAUTIFUL LIGHT

For over 30 years, TCP has been designing, developing and delivering energy-efficient lighting into the market. Thanks to our cutting-edge technology and manufacturing expertise, we have shipped billions of high quality lighting products. With TCP, you can count on a lighting product that is designed to meet the needs of the market - that transforms your surroundings and envelopes you in warmth - lighting that generates beauty with every flip of the switch.

Sales:

Date:

Model:

Project:

Rep:

Catalog Number:

Type:

Notes:



For more information on the quality and care TCP can deliver, call us at **800.324.1496** or visit tcpi.com

325 Campus Dr. | Aurora, Ohio 44202 | P: 800.324.1496 | F: 877.487.0516