



# Vintage Round Wood Grain Flush Mount

## Product Specifications



TCP's Vintage Round Wood Grain Flush Mount provides long-lasting illumination for both residential and commercial applications. This "bulb-in-a-box" solution comes prepackaged with LED bulbs for ease of installation and a guarantee of high CRI, flicker-free LED performance.

### Reasons to Choose the Vintage Round Wood Grain Flush Mount from TCP

- LED bulbs included (ST19, E26)
- Warm, inviting color temperature of 2700K
- High 95 CRI value provides excellent color rendering results and consistency
- Wood grain finish
- Three-year limited warranty
- Dimmable

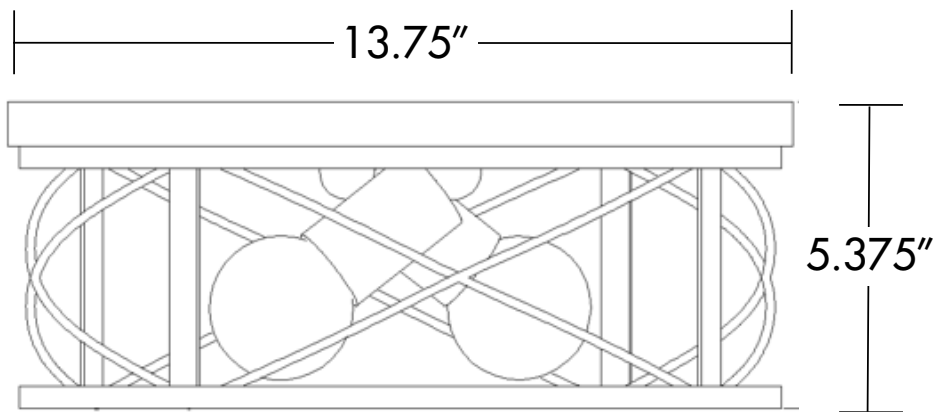
### Ideal Applications

- Residential
- Hospitality
- New construction
- Remodeling

## Specifications

Input Line Voltage .....	120V	Color Temperature .....	2700K
Input Line Frequency.....	60Hz	Lamp Life (hours).....	15,000
Wattage (W).....	4.5W	Minimum Starting Temperature .....	-22°C (-7.6°F)
Lumens (L).....	450L	Maximum Operating Temperature.....	45°C (113°F)
LPW .....	100	Certification .....	cETLus
CRI.....	95	Warranty.....	3-year limited

## Dimensions



## Ordering Information

ITEM #	DESCRIPTION	DIMENSIONS	COLOR	TITLE 20	JA8
VFMRD14WGD27K	Vintage Flush Mount Round 14" WG Dim 27K	13-3/4"Wx5-3/8"H	2700K	N	N

# TECHNOLOGY CAST IN A BEAUTIFUL LIGHT

For over 20 years, TCP has been designing, developing and delivering energy-efficient lighting into the market. Thanks to our cutting-edge technology and manufacturing expertise, we have shipped billions of high quality lighting products. With TCP, you can count on a lighting product that is designed to meet the needs of the market - that transforms your surroundings and envelopes you in warmth - lighting that generates beauty with every flip of the switch.

Sales:

Date:

Model:

Project:

Rep:

Catalog Number:

Type:

Notes:



For more information on the quality and care TCP can deliver, call us at **800.324.1496** or visit [tcp.com](http://tcp.com)

325 Campus Dr. | Aurora, Ohio 44202 | P: 800.324.1496 | F: 877.487.0516