



# Vintage Bell Pendant

## Product Specifications



The popular LED Vintage Bell Pendant from TCP is the perfect addition to kitchen islands and dining rooms. The clear glass bell shape and black metal accents give a high-end designer feel to any space. This “bulb-in-a-box” solution comes prepackaged with LED bulb for ease of installation and a guarantee of high CRI, flicker-free LED performance.

### Reasons to choose the Vintage Bell Pendant from TCP

- Energy Star® Certified LED filament bulb included (ST19, E26)
- High 90 CRI value provides excellent color rendering results and consistency
- Smooth, uniform dimming
- Clear glass bell shade with black metal accents
- Six-foot chain included
- ETL listed for damp locations (indoor)
- Three-year limited warranty

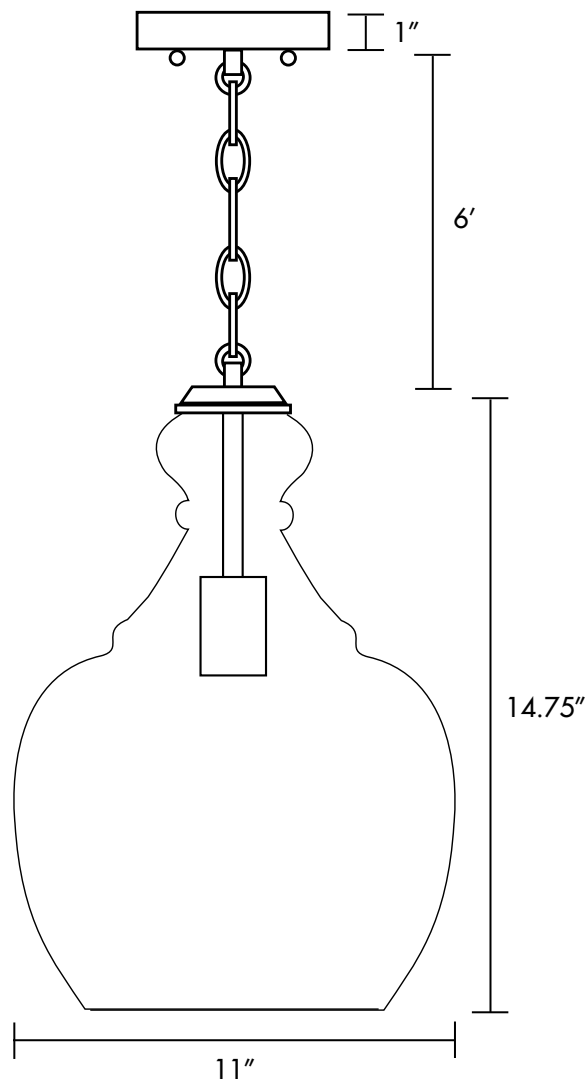
### Ideal Applications

- Residential
- Hospitality
- New construction
- Remodeling

## Specifications

Input Line Voltage.....	120V	Color.....	2700K
Input Line Frequency (Hz).....	60Hz	Lamp Life (hours).....	15,000
Wattage (W).....	4.2W	Minimum Starting Temperature.....	-22°C (-8°F)
Lumens.....	340L	Maximum Operating Temperature.....	45°C (113°F)
Lumens per Watt.....	81LPW	Environment.....	Suitable for damp (indoor) locations
Wattage Equivalent.....	40W	Certification.....	cETLus, Energy Star
CRI.....	90	Warranty.....	3 year limited warranty

## Dimensions



Ordering Information					
ITEM #	DESCRIPTION	COLOR	ENERGY STAR	TITLE 20	JA8
VP1BBLD27K	VINTAGE BELL PENDANT BLACK DIM 27K	2700K	Y	Y	N