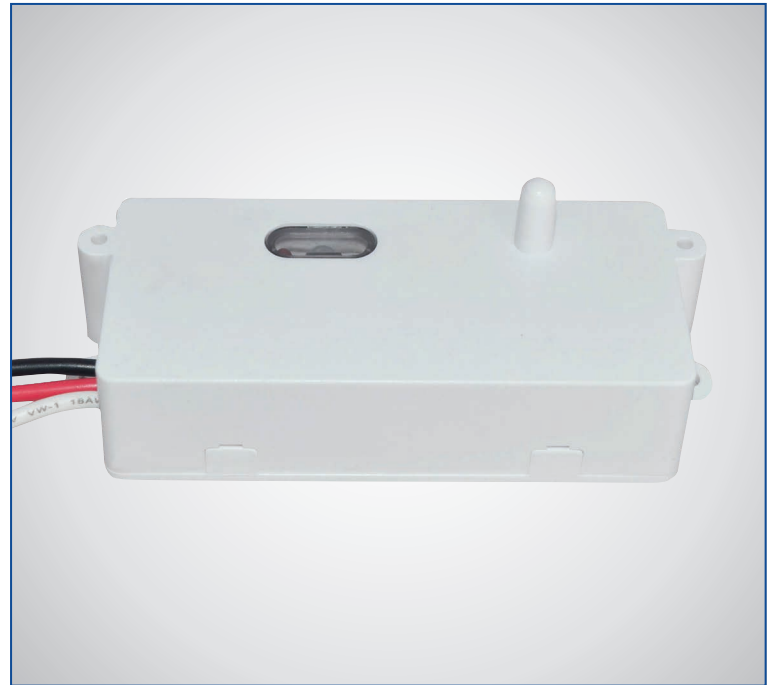
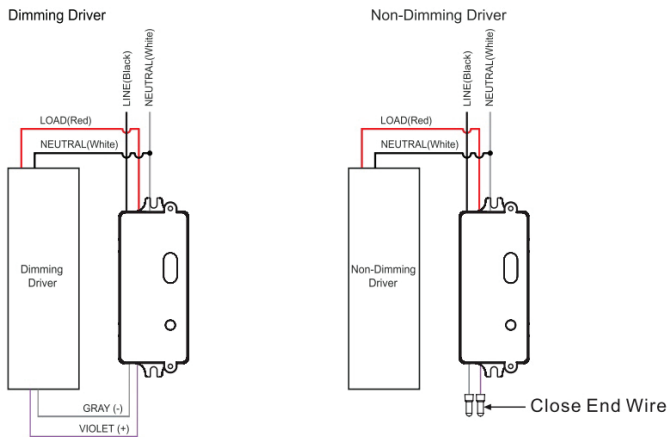


Specifications:

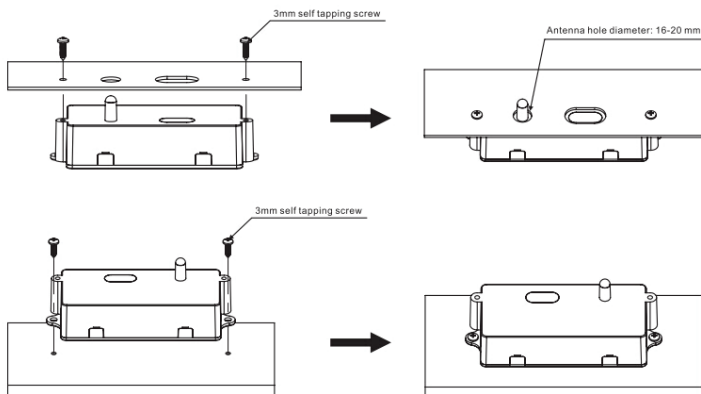
Operating voltage	120-277VAC
Maximum Load @	Resistive/Tungsten-600W@120V
-40°F ~ +158°F	Ballast Electronic (LED) -
(-40°C ~ +70°C)	800/1200VA@120/277V
HF System	5.8GHz CW
Dim Control Output	0-10V, Max 25mA sinking current
Detection Radius/Angle.....	Max 26ft. (8M) / 360°
Mounting height	Max 20ft.
Humidity	Max 95% RH
Temperature.....	-40°F ~ +158°F (-40°C ~ +70°C)
Color	White
Warranty	5 year limited warranty



Wiring Diagrams:



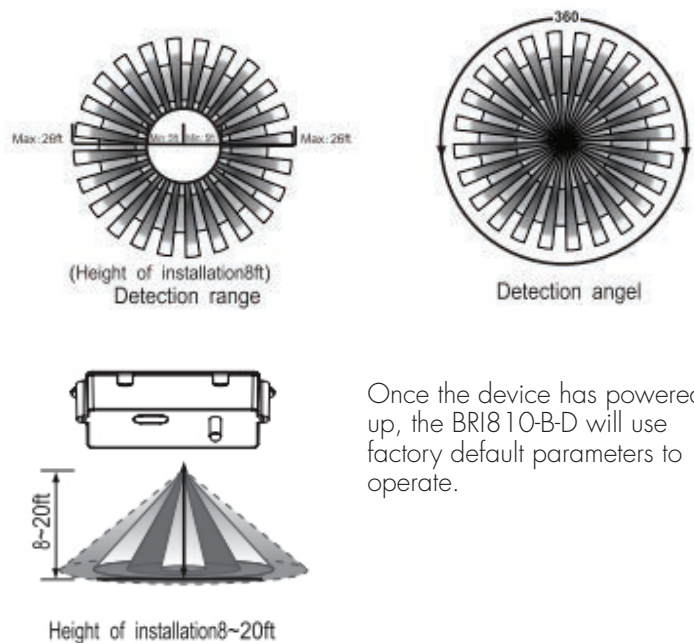
Installation:



Listing
RoHS Compliant

Warranty
Five year limited warranty against defects in manufacturing

Sensor Coverage:



Once the device has powered up, the BR1810-B-D will use factory default parameters to operate.