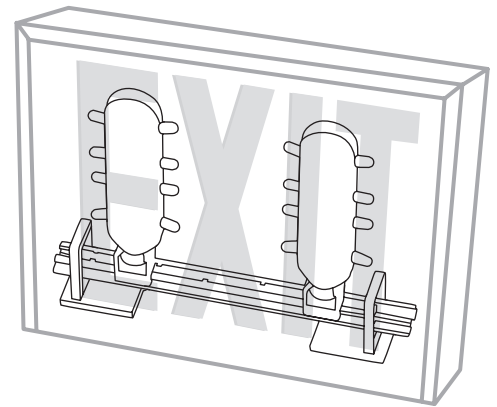


Features & Benefits

- New, brighter LEDs
- Solid construction, made to retrofit into existing exit signs
- More compact design allows unit to fit into more applications
- Available with white, green or red LEDs
- Zero maintenance & easy installation
- Excellent energy efficiency!
- ETL Listed, conforms to UL924
- 20715, 20716, 20717 & 20718 CUL Listed.
- Innovative concave LED design directs light output where you need it the most in existing exit signs!
- Hardwire version is both 120V and 277 and comes complete with mounting bracket
- LED Lamp Dimensions 4.75" x 1.65" x 0.6"
- Life expectancy 10 years at full lumen output



Ordering Information

Item #	DESCRIPTION	MOL (inches)	WIDTH (inches)	DEPTH (inches)	INPUT VOLTAGE	WATTS PER LAMP
20715	Red LED Candelabra Base Retrofit Kit, 2 Adapt.	4.75"	1.65"	.60"	20V	.2W
20716	Red Hardwire LED Kit 120 / 277V	5.63"	6.9"	1.0"	120 / 277V	1.2W
20717	Green LED Candelabra Base Retrofit Kit, 2 Adapt.	4.75"	1.65"	.60"	120V	0.7W
20718	Green Hardwire LED Kit 120 / 277V	5.63"	6.9"	1.0"	120 / 277V	0.7W
20719	White LED Candelabra Base Retrofit Kit, 2 Adapt.	4.70"	1.65"	.60"	120V	1.7W
20721	White Hardwire LED Kit 120 / 277V	4.75"	6.9"	1.0"	120 / 277V	1.8W

Specifications and dimensions subject to change without notice.