



LED UFO High Bay Luminaires

Great Features/Benefits

TCP's easy-to-install LED UFO High Bay Luminaires have a sleek, robust design that meets a variety of application needs.

Combining long life and outstanding efficacy up to 120LPW, TCP offers a cost effective solution to maximize energy and maintenance savings. These LED luminaires instantly deliver brilliant white light, eliminating long warm-up times experienced with HID fixtures.

- Energy efficient design delivers up to 120 LPW
- Instant on
- Long life: 50,000 hours
- Heavy duty die-cast aluminum housing
- IP65 wet location rated
- Works in up to 55°C ambient temperature environments
- Ideal for:
 - Warehouses & Distribution Centers
 - Commercial Facilities
 - Aisles (Open & Stock)
 - Retailers
 - Schools & Municipalities
 - Field Houses & Gymnasiums
 - Open Ceiling Designs



5 YEAR
WARRANTY

To view our DLC qualified products, please consult the DLC Qualified Products List at www.designlights.org/qpl

UFO High Bay Luminaires

Applications

This product can be effectively used in many indoor applications such as Warehouses, Commercial Facilities, Retail Stores, Schools, Gymnasiums, or any open ceiling design.

Construction

- IP65 rated
- Die-cast aluminum housing
- Impact resistant tempered glass
- Durable black powder coat
- Hangs from an included eye bolt
- Operating temperature: -40°C - 55°C

Electrical

- cULus wet location rated
- High quality MEAN WELL HBG-240 series driver
- 1' Power cord extends from the top
- System rated for long 50,000 hour life
- Efficiently delivers up to 120 LPW

Optics

- Clear tempered glass lens
- Delivers bright, white light and excellent uniformity

Accessories

- PCORDSPICEWL - Wet Location rated connector to extend the power cord



PCORDSPICEWL

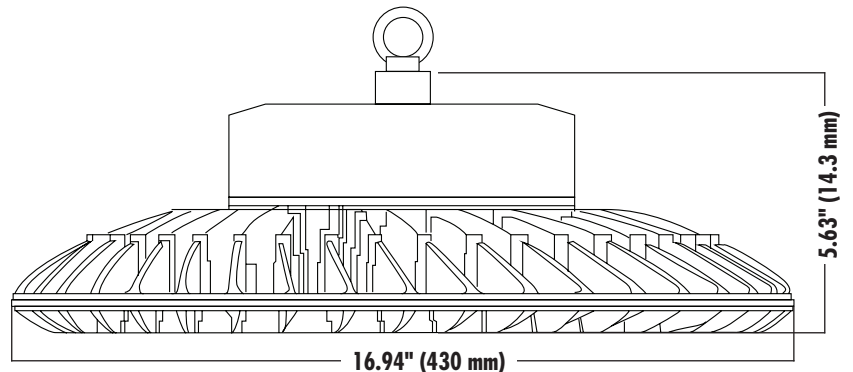


Warranty

Five year limited warranty against defects in manufacturing.

Listings

UL and cUL listed
IP65 Rated



For the most up-to-date specs and warranty information, please visit www.tcpi.com

ITEM #	DESCRIPTION	DLC	LUMENS	WATTAGE	LPW	VOLTAGE	POWER FACTOR	CCT	CRI	LIFE(hours)	L(in.)	H(in.)	W(in.)
LED UFO High Bay • 50,000 Hour													
UFOHT200U50K	UFO 210W UNI NON DIM 5000K		25500	210	120	120-277V	>90	5000K	80	50000	16.93	5.63	16.93