

Applications

TCP's flange mounting kit allows for recessed installation on plaster or hard ceilings. These kits provide a framework to allow installation of TCP troffers into a sheet rock ceiling.

Construction

- Durable steel frame; 0.062" thick (1.5 mm)
- Post-painted in white powder coat paint
- Easy-to-assemble for quick field installation
- Ultra low-profile design
- Can accommodate TCP Troffers with or without emergency back-up option



Listing

RoHS Compliant

Warranty

Five year limited warranty against defects in manufacturing

Catalog Ordering Matrix (kits ordered as accessory sold separately)

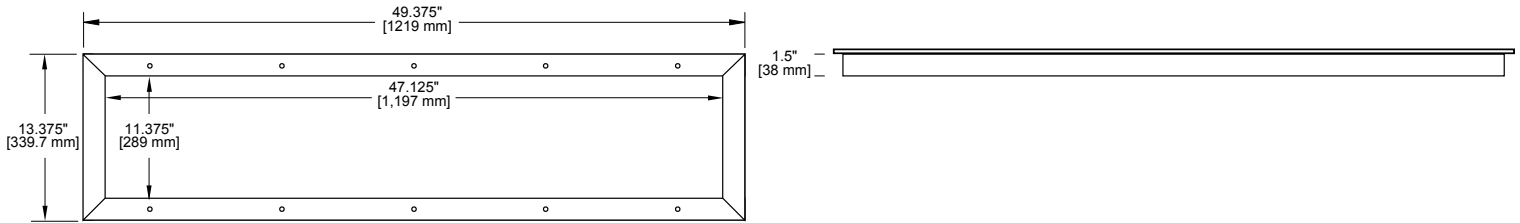
TCP Item #	TROFFER SIZE	DESCRIPTION	FINISH	TCP LED FLAT PANEL EDGELIT COMPATIBILITY (TCP Model #s)
DTFLK1	1x4	1x4 Recessed Sheet Rock Flange Kit	White	FP1, DT1 Series
DTFLK2	2x2	2x2 Recessed Sheet Rock Flange Kit	White	FP2, DT2, TRV2 Series
DTFLK4	2x4	2x4 Recessed Sheet Rock Flange Kit	White	FP4, DT4, TRV4 Series

For the most up-to-date specs and warranty information, please visit www.tcpi.com

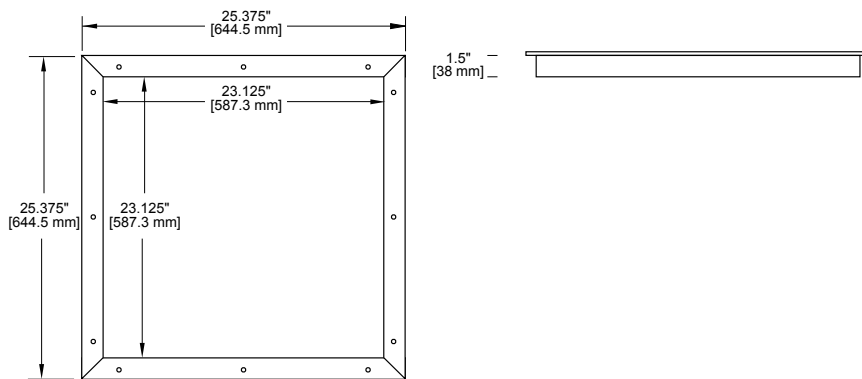
Specifications and dimensions subject to change without notice.

Dimensions

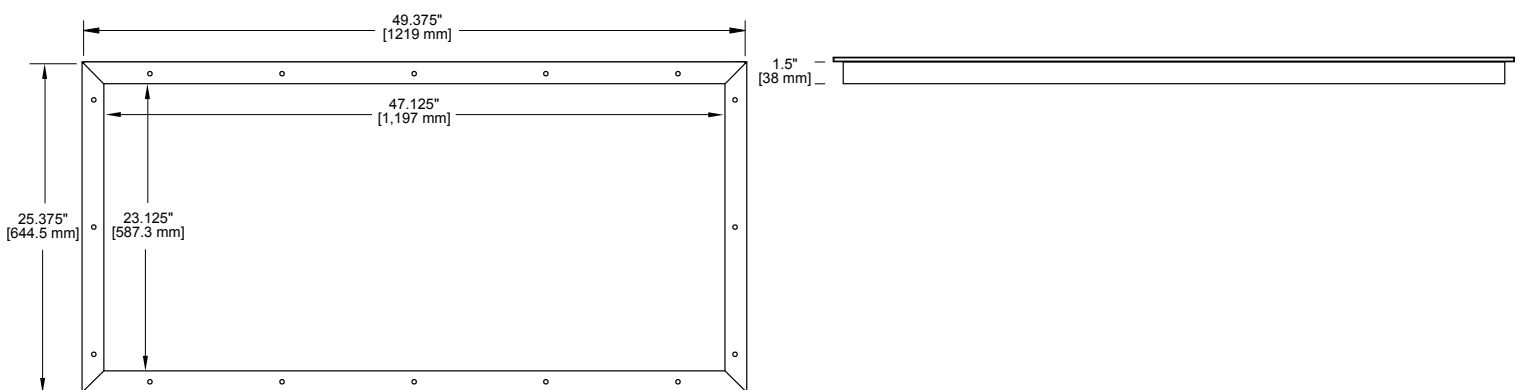
DTFLK1 – 1 x 4 Flange Kit



DTFLK2 – 2 x 2 Flange Kit



DTFLK4 – 2 x 4 Flange Kit



Specifications and dimensions subject to change without notice.