



# LED Linear High Bay

## Product Specifications



The HB by TCP LED High Bay family is a versatile solution for endless applications. With an all metal frame, and included mounting hardware, the HB by TCP is quick to install and will provide a long lasting durable light source for years to come.

## Reasons to choose the LED Linear High Bay from TCP

- Steel frame with no scalloping and pop riveted and rounded edge corners
- Standard frosted lens for glare control
- No shadows for smooth, even lighting
- Damp location rated
- 0-10V smooth dimming
- 250 or 400W HID equivalent
- 50,000 hour rated life
- Wide beam spread due to angled LED design providing clean cut off
- Optional battery backup or motion sensors available
- Includes 6 foot power cord

## Ideal Applications

- High ceiling locations
- Commercial settings
- Industrial settings
- Retail settings
- Warehouses

## Applications

The HB by TCP LED High Bay family is a versatile solution for endless applications. With an all metal frame, and included mounting hardware, the HB by TCP is quick to install and will provide a long lasting durable light source for years to come. Best for use in high ceiling locations in commercial, industrial, retail, or warehouse settings.

## Features

- Post painted steel frame with no scalloping and pop riveted and rounded edge corners
- Standard frosted lens for glare control
- No shadows, smooth even lighting
- Damp location rated
- 0-10V smooth no flicker dimming
- Operating temperature: -4° to 122°F
- 250 or 400W HID equivalent
- Long 50,000 hour rated life
- Wide beam spread due to angled LED design providing clean cut off
- Optional battery backup or motion sensors available
- Includes 6-Foot power cord

## Hardware Included

- 2 Tong Hangers
- 5' Jack Chains
- Hub Mount Kit for 3/4" Conduit/Stem Mount
- 6-Foot Pre-wired Cord

## Installation

Surface, suspended or pendant mounted. Before installation, please consult your local ordinances and building codes.



### Listings

cULus Listed  
RoHS Compliant  
DLC v4.4 Premium

### Warranty

Five year limited warranty against defects in manufacturing.

Larger beam spread due to angled LED design providing clean cut off.



## Catalog Ordering Matrix Example: HB21000150

HB				
FAMILY	WATTS <sup>12</sup>	VOLTAGE	COLOR TEMPERATURE	OPTIONS
HB = LED Linear High Bay	<b>90</b> – 11,700 Lumens <b>105</b> – 13,650 Lumens <b>150</b> – 19,500 Lumens <b>175</b> – 22,750 Lumens <b>210</b> – 27,300 Lumens	<b>001</b> – 120-277V <b>002</b> – 347-480V	<b>40</b> – 4000K <b>50</b> – 5000K	<b>B</b> = Battery back-up <b>LS1</b> - Leviton Occupancy Sensor, 40' or less, 120V, 277V or 347V <b>LS1D</b> - Leviton Occupancy Sensor w/ Daylight Harvesting, 40' or less, 120V, 277V or 347V <b>LS4</b> - Leviton Occupancy Sensor, 40' or less, 208V, 240V or 480V

<sup>1</sup> Actual wattage may differ by +/- 10%.

<sup>2</sup> Approximate lumen output. Actual performance may vary based on CCT, options selected and end user application.

### Accessories:

Item Number	Description	Item Number	Description
<b>HB1WG</b>	Wire Guard for HB10500150 & HB15000150	<b>LS1</b>	Leviton Occupancy Sensor w/ Bracket, 40' or less, 120V, 277V or 347V
<b>HB2WG</b>	Wire Guard for HB21000150	<b>LS1D</b>	Leviton Occupancy Sensor w/ Daylight Harvesting and Bracket, 40' or less, 120V, 277V or 347V
<b>OT00040</b>	Replacement Lens Panels for HB10500150 & HB15000150	<b>LS4</b>	Leviton Occupancy Sensor w/ Bracket, 40' or less, 208V, 240V or 480V
<b>OT00040A</b>	Replacement Lens Panels for HB21000150		

For the most up-to-date specs and warranty information, please visit [www.tcp.com](http://www.tcp.com)

TCP®

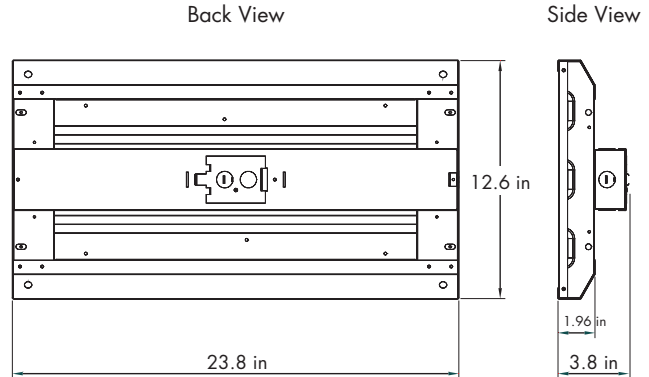
325 Campus Dr. | Aurora, Ohio 44202 | P: 800-324-1496 | [tcp.com](http://tcp.com)

Not all versions of this product are qualified on the DLC QPL. To view our DLC qualified products, please consult the DLC Qualified Products List at [www.designlights.org/apl](http://www.designlights.org/apl).



## Dimensions

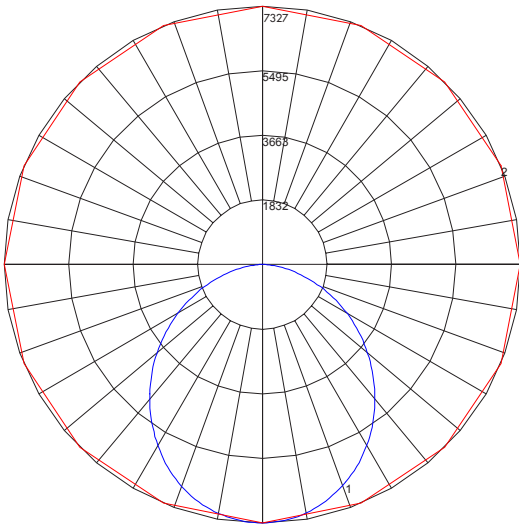
**HB90, HB105 and HB150**  
(23.8 x 12.6 inches)



## Photometric Report

Based on photometric data for  
TCP Item # HB15000150

### Polar Graph



Maximum Candela = 7326.6 Located At Horizontal Angle = 0, Vertical Angle = 0  
# 1 - Vertical Plane Through Horizontal Angles (0 - 180) (Through Max. Cd.)  
# 2 - Horizontal Cone Through Vertical Angle (0) (Through Max. Cd.)

### Average Luminance candelas/square meter (cd/sq.m)

Angle In Degrees	Average 0-Deg	Average 45-Deg	Average 90-Deg
45	33759	33815	33891
55	31348	31304	31454
65	28193	28064	28255
75	23652	23334	23490
85	16244	15281	15047

Specifications and dimensions subject to change without notice.

## Coefficients of Utilization – Zonal Cavity Method

### Effective Floor Cavity Reflectance 0.20

RC	80				70				50			30			10			0
	70	50	30	10	70	50	30	10	50	30	10	50	30	10	50	30	10	0
0	119	119	119	119	116	116	116	116	111	111	111	106	106	106	102	102	102	100
1	109	104	100	97	106	102	98	95	98	95	92	94	91	89	90	88	86	84
2	99	91	85	79	97	89	83	78	86	81	76	83	78	75	80	76	73	71
3	91	80	72	66	88	79	71	65	76	70	64	73	68	63	71	66	62	60
4	83	71	63	56	81	70	62	56	68	61	55	65	59	54	63	58	54	51
5	77	64	55	49	75	63	55	48	61	53	48	59	52	47	57	51	47	45
6	71	58	49	43	69	57	48	42	55	48	42	53	47	42	52	46	41	39
7	66	52	44	38	64	52	43	38	50	43	37	49	42	37	47	41	37	35
8	61	48	39	34	60	47	39	34	46	39	33	45	38	33	43	37	33	31
9	57	44	36	30	56	43	36	30	42	35	30	41	35	30	40	34	30	28
10	54	41	33	28	52	40	33	28	39	32	27	38	27	27	38	31	27	25

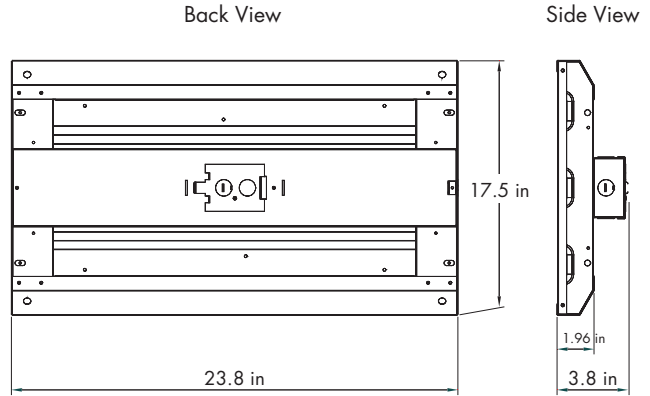
### Zonal Lumen Summary

Zone	Lumens	%Lamp	%Fixt
0-20	2651.5	N.A.	13.90
0-30	5566.91	N.A.	29.20
0-40	8987.26	N.A.	47.10
0-60	15407.32	N.A.	80.70
0-80	18796.5	N.A.	98.40
0-90	19093.68	N.A.	100.00
10-90	18402.88	N.A.	96.40
20-40	6335.76	N.A.	33.20
20-50	9766.58	N.A.	51.20
40-70	8610.04	N.A.	45.10
60-80	3389.18	N.A.	17.80
70-80	1199.19	N.A.	6.30
80-90	297.18	N.A.	1.60
90-110	0.00	N.A.	0.00
90-120	0.00	N.A.	0.00
90-130	0.00	N.A.	0.00
90-150	0.00	N.A.	0.00
90-180	0.00	N.A.	0.00
110-180	0.00	N.A.	0.00
0-180	19093.68	N.A.	100.00

Total Luminaire Efficiency = N.A.%

## Dimensions

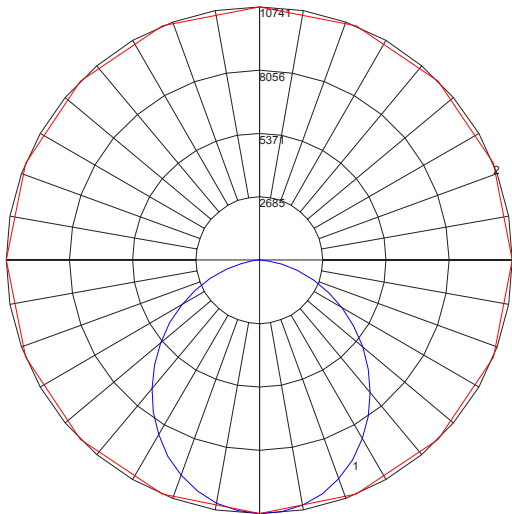
**HB175 and HB210**  
(23.8 x 17.5 inches)



## Photometric Report

Based on photometric data for  
TCP Item # HB21000150

### Polar Graph



Maximum Candela = 10741.37 Located At Horizontal Angle = 0, Vertical Angle = 0  
# 1 - Vertical Plane Through Horizontal Angles (0 - 180) (Through Max. Cd.)  
# 2 - Horizontal Cone Through Vertical Angle (0) (Through Max. Cd.)

### Average Luminance candelas/square meter (cd/sq.m)

Angle In Degrees	Average 0-Deg	Average 45-Deg	Average 90-Deg
45	49784	49818	49373
55	45916	46012	15532
65	41457	41245	40589
75	34818	34714	33616
85	24621	24646	22706

Specifications and dimensions subject to change without notice.

## Coefficients of Utilization – Zonal Cavity Method

Effective Floor Cavity Reflectance 0.20

RC	80				70				50			30			10			0
	70	50	30	10	70	50	30	10	50	30	10	50	30	10	50	30	10	0
0	119	119	119	119	116	116	116	116	111	111	111	106	106	106	102	102	102	100
1	109	104	100	97	106	102	98	95	98	95	92	94	91	89	90	88	86	84
2	99	91	85	79	97	90	83	78	86	81	76	83	78	75	80	76	73	71
3	91	81	73	66	88	79	72	66	76	70	64	73	68	63	71	66	62	60
4	83	72	63	57	81	70	62	56	68	61	55	65	59	54	63	58	54	52
5	77	64	55	49	75	63	55	49	61	54	48	59	52	47	57	51	47	45
6	71	58	49	43	69	57	49	43	55	48	42	53	47	42	52	46	41	39
7	66	53	44	38	64	52	44	38	50	43	37	49	42	37	47	41	37	35
8	61	48	40	34	60	47	39	34	46	39	34	45	38	33	44	38	33	31
9	57	44	36	31	56	44	36	31	42	35	30	41	35	30	40	34	30	28
10	54	41	33	28	53	40	33	28	39	32	28	38	32	28	37	32	27	26

## Zonal Lumen Summary

Zone	Lumens	%Lamp	%Fixt
0-20	3890.35	N.A.	14.00
0-30	8160.16	N.A.	29.40
0-40	13146.16	N.A.	47.40
0-60	22386.16	N.A.	80.80
0-80	27161.71	N.A.	98.00
0-90	27585.02	N.A.	99.60
10-90	26571.08	N.A.	95.90
20-40	9256.43	N.A.	33.40
20-50	14218.18	N.A.	51.30
40-70	12345.24	N.A.	44.60
60-80	4775.06	N.A.	17.20
70-80	1669.69	N.A.	6.00
80-90	423.30	N.A.	1.50
90-110	27.20	N.A.	0.10
90-120	40.39	N.A.	0.10
90-130	56.37	N.A.	0.20
90-150	93.37	N.A.	0.30
90-180	124.33	N.A.	0.40
110-180	97.13	N.A.	0.40
0-180	27709.35	N.A.	100.00

Total Luminaire Efficiency = N.A.%

# TECHNOLOGY CAST IN A BEAUTIFUL LIGHT

For over 20 years, TCP has been designing, developing and delivering energy-efficient lighting into the market. Thanks to our cutting-edge technology and manufacturing expertise, we have shipped billions of high quality lighting products. With TCP, you can count on a lighting product that is designed to meet the needs of the market - that transforms your surroundings and envelopes you in warmth - lighting that generates beauty with every flip of the switch.

Sales:

Date:

Model:

Project:

Rep:

Approval:

Catalog Number:

Type:

Notes:



For more information on the quality and care TCP can deliver, call us at **800.324.1496** or visit [tcp.com](http://tcp.com)

325 Campus Dr. | Aurora, Ohio 44202 | P: 800.324.1496 | F: 877.487.0516