



# LED High Bay Retrofit Lamps & Sensors

## Product Specifications



TCP's energy efficient LED High Bay lamps and sensors are an excellent choice for replacing traditional metal halide products. Damp location rated and designed for indoor use where low maintenance and high lumen output is required.

### Reasons to choose the LED High Bay lamps and sensors from TCP

- Uses less energy than traditional metal halide products
- 50,000 hour life minimizes replacement and maintenance costs
- UL approved for damp locations
- Rated for enclosed fixtures
- 120° beam angle for full light distribution
- Isolated driver for better heat dissipation and eliminates the need for a ballast
- Surge protection – all wattages have 4KV surge protection
- Sensor controls – lamps can use daylight or motion control when lamps are on/off

### Ideal Applications

- Warehouses
- Factories
- Canopy Lights
- Gymnasiums
- Parking Garages
- Storage Facilities
- Large Conference Halls
- Event Centers
- Assembly Lines

### Specifications:

Color Temperatures .....4000K, 5000K  
 Wattage Replacements ..... 200W, 250W, 400W  
 Input Line Voltage ..... 120-277 VAC  
 Input Line Frequency..... 50/60HZ  
 Lamp Life (Rated) ..... 50,000 hours

Minimum Starting Temp ..... -40°C  
 Maximum Operating Temp..... 60°C  
 CRI ..... ≥ 80  
 Surge Protection .....4kv



\*Based on 12 hours use per day

## Specifications



L60HBE2650XXK



L80HBEX3950XXK

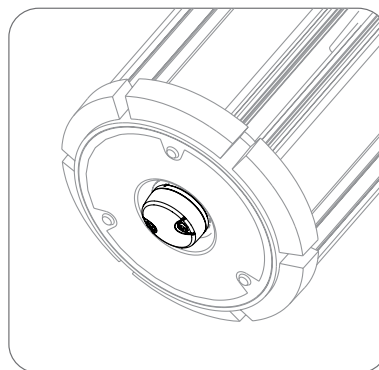
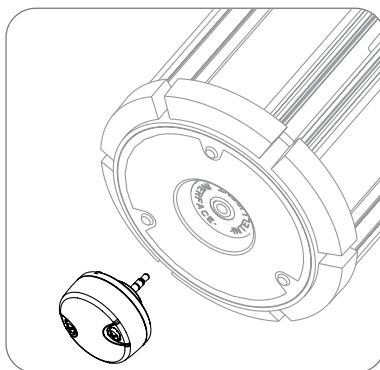


L115HBEX3950XXK

ITEM #	DESCRIPTION	DLC*	METAL HALIDE EQUIVALENT	VOLTAGE	BASE LAMP LUMENS	LED WATTS	CRI	COLOR TEMP	MOL (INCHES)	DIA (INCHES)	MIN ENCLOSURE DIMENSION (INCHES)	BASE	SENSOR COMPATIBLE	MASTER PACK
<b>LED High Bay Lamp Series</b>														
L60HBE265040K	LED60 HB200 E264K		200	120-277VAC	8100	60	80	4000K	6.89	6.93	7.87" Lx7.87"	E26	Yes	4
L60HBE265050K	LED60 HB200 E265K		200	120-277VAC	8100	60	80	5000K	6.89	6.93	7.87" Lx7.87"	E26	Yes	4
L80HBEX395040K	LED80 HB250 EX394K	★	250	120-277VAC	10800	80	80	4000K	7.87	7.01	9.84" Lx9.84"	EX39	Yes	4
L80HBEX395050K	LED80 HB250 EX395K	★	250	120-277VAC	10800	80	80	5000K	7.87	7.01	9.84" Lx9.84"	EX39	Yes	4
L115HBEX395040K	LED115 HB400 EX394K	★	400	120-277VAC	15525	115	80	4000K	9.06	7.01	9.84" Lx9.84"	EX39	Yes	4
L115HBEX395050K	LED115 HB400 EX395K	★	400	120-277VAC	15525	115	80	5000K	9.06	7.01	9.84" Lx9.84"	EX39	Yes	4

\*DLC qualified product at time of printing, consult [designlights.org](http://designlights.org) for the most up-to-date listing

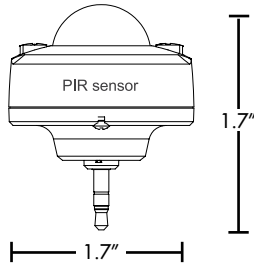
## Sensor Installation



## Specifications



LHSIR001



### HID HB PIR Occupancy Sensor:

When connected to the TCP High Bay Lamp, the sensor delivers excellent motion detection. When no motion is detected, the TCP High Bay Lamp brightness will be switched to a preset Dim Level from 0 – 60%. When motion is detected, the TCP High Bay Lamp, brightness will be switched to 100% for a preset Hold Time. If natural light is present, the Lamp will turn off.

#### Features:

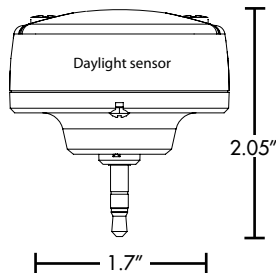
- Normal Motion Detecting
- Daylight Threshold
- Step Dimming
- Do not expose directly to water
- One module for one lamp
- Not suitable for enclosed luminaries
- Set the Dim Level and Hold Time before installation

Voltage	1.5V DC ± 2V
Output Voltage	0-10V
Current	20mA
Sensing Angle	120° (Installation Vertically)
Detecting Range	Around Dia 10m
Standby Power Range	0% - 60%

Illuminance	Around 300LUX
Operating Temperature	-20°C ~ + 35°C (-4°F ~ + 95°F)
Storage Temperature	-20°C ~ + 40°C (-4°F ~ + 104°F)
Hold Time Options	30S/90S/5Min/10Min
IP Rating	IP20
Warranty	5 Years



LHSDL001



### HID HB Daylight Sensor:

When connected to the TCP High Bay Lamp, the sensor delivers natural light detection. When the natural light level is below the Lux setting, the TCP High Bay Lamp will turn on for the preset Hold Time. When the natural light level is above the Lux setting, the TP High Bay Lamp will turn on.

#### Features:

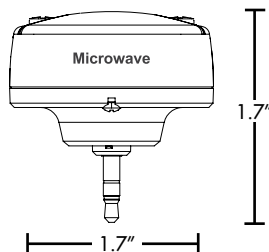
- Only Identify Natural Light
- Daylight Threshold
- One module for one lamp
- Set the Lux Level and Hold Time before installation

Voltage	1.5V DC ± 2V
Output Voltage	0-10V
Current	20mA
LUX Range	20-∞

Operating Temperature	-20°C ~ + 60°C, -4°F ~ + 14°F
IP Rating	IP20
Warranty	5 Years



LHSMW001



### HID HB Microwave Occupancy Sensor:

When connected to the TCP High Bay Lamp, the sensor delivers 120° detection through objects and walls. When no motion is detected, the TCP High Bay Lamp brightness will be switched to a preset Dim Level from 0 – 60%. When motion is detected, the TCP High Bay Lamp brightness will be switched to 100% for a preset Hold Time.

#### Features:

- Normal Motion Detecting
- ON/OFF Function
- Step Dimming
- Do not expose directly to water
- One module for one lamp
- Not for outdoor use
- Set the Dim Level and Hold Time before installation

Frequency	5.8 GHz ± 75MHz
Voltage	1.5V DC ± 2V
Output Voltage	0-10V
Current	20mA
Transmit Power	1mW
Sensing Angle	120° (Installation Vertically)

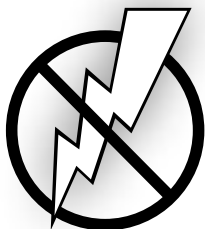
Detecting Range	Around Dia 10m
Operating Temperature	-20°C ~ + 60°C (-4°F ~ + 140°F)
Storage Temperature	-20°C ~ + 40°C (-4°F ~ + 104°F)
IP Rating	IP20
Warranty	5 Years

## LED High Bay Retrofit Lamp Installation and Instruction Guide

**WARNING! RISK OF ELECTRIC SHOCK!  
DISCONNECT POWER AT FUSE OR CIRCUIT  
BREAKER BEFORE INSTALLING OR SERVICING!**

For MODELS L60HBE265040K, L60HBE265050K, L80HBEX395040K, L80HBEX395050K,  
L115HBEX395040K, L115HBEX395050K

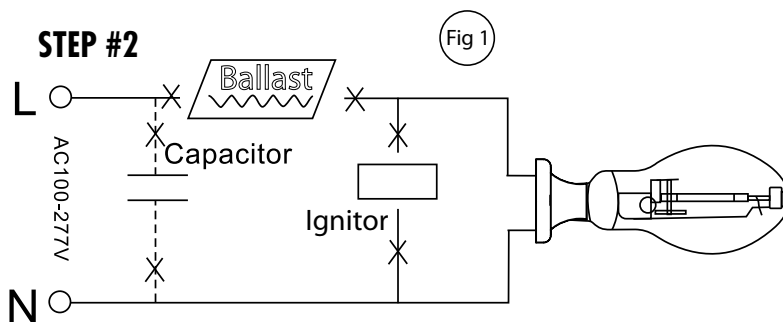
### STEP #1



**POWER OFF**

TURN OFF POWER AT CIRCUIT BREAKER  
to prevent risk of electric shock.

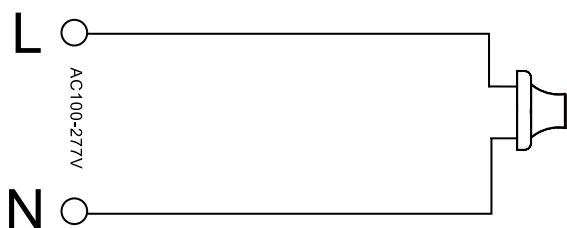
### STEP #2



Remove old ballast or disconnect from existing lamp holder. Remove and  
dispose of ballast in correct manner (also disconnect any other components  
such as ignitors, starters, capacitors). Shown as Figure 1.

### STEP #3

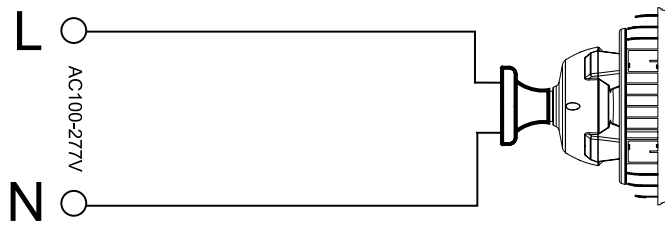
Fig 2



Reconnect directly to the existing lamp holder.  
Shown as Figure 2.

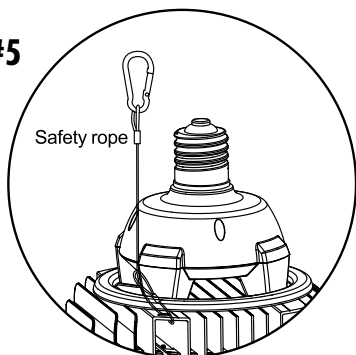
### STEP #4

Fig 3



Install new LED replacement lamp. Shown as Figure 3. Please  
make sure old socket is correctly grounded.

### STEP #5



If lamp being installed is over 60w, attach provided tether  
cable to lamp. Locate either entry hole(1) on lamp shown  
in diagram and feed looped end of tether cable(2) through  
hole. You may need to crimp with pliers first. Once through,  
take end with grappling clip through loop as shown, tighten  
and secure clip to safe location.

### STEP #6

This luminaire has been modified to operate LED lamps.  
Do not attempt to install or operate HID lamps or  
Compact Fluorescent Luminaires in this luminaire.  
In the future, use only bypass lamps.  
LED RETROFIT LUMINAIRE CONVERSION  
FOR USE ONLY WITH PRODUCTS DESCRIBED  
AND INSTALLED IN ACCORDANCE WITH  
THE INSTRUCTIONS PROVIDED WITH THIS  
RETROFIT KIT (E353692)  
Order at [www.tcpi.com](http://www.tcpi.com)  
REPLACEMENT LAMP:  
LXXHE2650YYK ("XX" = 12W & 18W & 27W & 36W &  
45W & 54W & 63W & 100W & 120W)  
LXXHEX3950YYK ("YY" = 40W (4000K) & 50W (5000K))  
LXXHBE2650YYK ("XX" = 60W & 80W & 115W)  
LXXHBEX3950YYK ("YY" = 40W (4000K) & 50W (5000K))

Please apply included label  
to retrofitted luminaire in  
a visible location.

### STEP #7



**POWER ON**

TURN ON POWER AT  
CIRCUIT BREAKER