

LED Compact Wall Pack

Product Specifications



TCP's LED Non-Cutoff Compact Wall Pack combines the look of a traditional wall pack with the benefits of LED. An efficient alternative to HID, these wall packs deliver bright uniform light while providing energy savings. A long 50,000 hour rated life significantly decreases maintenance labor and material costs over the life of the fixture.

The robust die-cast aluminum housing incorporates an impact-resistant polycarbonate lens. An integrated photocell is optional for dusk-to-dawn control. The wall pack mounts directly to a standard junction box for easy retrofit of traditional fixtures.

Reasons to choose the LED Compact Wall Packs from TCP

- Delivers bright, white light with excellent uniformity
- Wet location rated for safe outdoor usage
- Durable construction with die-cast aluminum housing and impact-resistant polycarbonate lens

Ideal Applications

- Site Lighting
- Security Lighting
- Pathways
- Entrances
- Perimeters

Applications

This product family can be effectively used in outdoor wall mount locations. Commercial, industrial, retail and healthcare exterior lighting; parking lot, cargo door, high wall, area, security, etc.

Construction

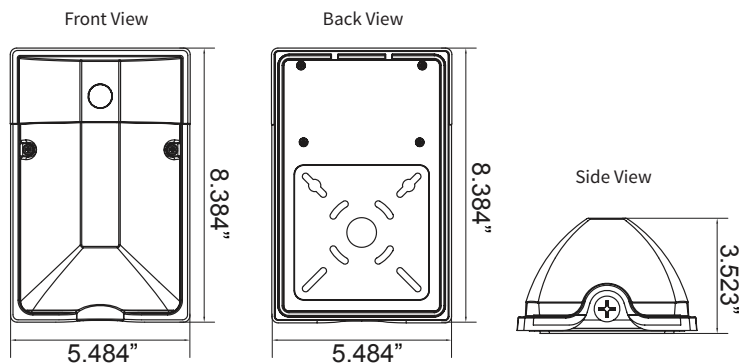
- Die-cast aluminum housing
- Impact-resistant polycarbonate lens
- Durable bronze powder coat

Electrical

- cULus wet location rated
- Easy-to-access wiring compartment
- System rated for long 50,000 hour life
- Efficiently delivers up to 100 LPW

Optics

- Polycarbonate lens
- Delivers bright, white light and excellent uniformity



Approximate Luminaire Weight: 2.16 lbs

Item Number	
Notes	Type



Listings

UL and cUL listed
RoHS Compliant
DLC Premium 4.3

Warranty

Five year limited warranty against defects in manufacturing.

Item#	Description	DLC	Lumens	Wattage	LPW	Voltage	Power Factor	CCT	CRI	Life	L (in.)	H. (in.)	W (in.)
LED COMPACT WALL PACK • 50,000 HOUR													
WP1700140S	LED Compact Wall Pack - Non Dim 40K W/PC	★	1700	17	100	120-277V	≥0.9	4000K	>80	50000	8.4	3.5	5.5
WP2500150	LED Compact Wall Pack - Non Dim 50K	★	2250	25	90	120-277V	≥0.9	5000K	>80	50000	8.4	3.5	5.5
WP2500140S	LED Compact Wall Pack - Non Dim 40K W/PC	★	2250	25	90	120-277V	≥0.9	4000K	>80	50000	8.4	3.5	5.5
WP2500150S	LED Compact Wall Pack - Non Dim 50K W/PC	★	2250	25	90	120-277V	≥0.9	5000K	>80	50000	8.4	3.5	5.5

For the most up-to-date specs and warranty information, please visit www.tcp.com

TCP®
325 Campus Dr. | Aurora, Ohio 44202 | P: 800-324-1496 | tcp.com

©TCP JUN 2020/WF210150



5 YEAR WARRANTY

Not all versions of this product are qualified on the DLC QPL. To view our DLC qualified products, please consult the DLC Qualified Products List at www.designlights.org/qpl.