

Instant Start Electronic Ballast

120 or 277 Voltage

Application and Performance:

- Energy saving high efficiency instant start electronic ballast (> 90%)
- Multi-voltage technology handles voltage from 120 to 277v
- Anti-Striation Control for better light quality, with no striations
- Active Power Factor Correction - Ballast regulates the output to each lamp with individual lamp inverter modules

General Characteristics:

| | |
|-------------------------------------|--|
| Application | 4 or 3 F32T8 120 to 277v 0.88BF |
| Ballast Type | Electronic – High Efficiency Multivolt Instant Start |
| Starting Method | Instant Start |
| Lamp Wiring | Parallel |
| Line Voltage Regulation (+/-) | 10% |
| Ambient Temp (Max) | 105°F / 41°C |
| Case Temp (Max) | 167°F / 75°C |
| Ballast Factor | Normal (0.88) |
| Sound Rating | A |
| Supply Current Frequency | 50 Hz / 60 Hz |

Catalog Number

Notes

Type



Dimensions:

CASE DIMENSIONS

| | |
|------------------|--------|
| Length (L) | 9.5 in |
| Width (W) | 1.3 in |
| Height (H) | 1.2 in |

LEAD LENGTHS

| | |
|-------------------|-------|
| White/Black | 25 in |
| Red/Blue | 31 in |
| Yellow | 46 in |

Weight

Exit Type

Remote Mounting
Distance to lamp

Remote Mounting
Wire Gauge

Case Quantity

UPC

For the most up-to-date specs, please visit www.tcp.com

| Lamp Type | Line Volt. | Num. of Lamps | Rated Lamp Watts | Min. Start Temp. (°F/°C) | Input Current (Amps) | Input Power (Watts) | MAX. THD% | Power Factor | Ballast Factor | MAX. Lamp Current Crest Factor | B.E.F. |
|--------------|------------|---------------|------------------|--------------------------|----------------------|---------------------|-----------|--------------|----------------|--------------------------------|--------|
| F32T8 | 120 | 4 | 32 | 0/-18 | 0.93 | 110 | 10 | 0.99 | 0.88 | 1.70 | 0.80 |
| | | 3 | 32 | 0/-18 | 0.75 | 89 | 10 | 0.99 | 0.94 | 1.70 | 1.06 |
| | 277 | 4 | 32 | 0/-18 | 0.40 | 108 | 15 | 0.99 | 0.88 | 1.70 | 0.81 |
| | | 3 | 32 | 0/-18 | 0.33 | 89 | 15 | 0.99 | 0.94 | 1.70 | 1.06 |
| F28T8 | 120 | 4 | 28 | 0/-18 | 0.81 | 96 | 10 | 0.99 | 0.88 | 1.60 | 0.92 |
| | | 3 | 28 | 0/-18 | 0.67 | 79 | 10 | 0.99 | 0.94 | 1.60 | 1.19 |
| | 277 | 4 | 28 | 0/-18 | 0.35 | 95 | 15 | 0.99 | 0.88 | 1.60 | 0.93 |
| | | 3 | 28 | 0/-18 | 0.29 | 78 | 15 | 0.99 | 0.94 | 1.60 | 1.21 |
| F25T8 | 120 | 4 | 25 | 0/-18 | 0.74 | 88 | 10 | 0.99 | 0.89 | 1.60 | 1.01 |
| | | 3 | 25 | 0/-18 | 0.61 | 72 | 10 | 0.99 | 0.96 | 1.60 | 1.33 |
| | 277 | 4 | 25 | 0/-18 | 0.32 | 87 | 15 | 0.99 | 0.89 | 1.60 | 1.02 |
| | | 3 | 25 | 0/-18 | 0.26 | 72 | 15 | 0.99 | 0.96 | 1.60 | 1.33 |
| F17T8 | 120 | 4 | 17 | 0/-18 | 0.50 | 60 | 10 | 0.99 | 0.90 | 1.60 | 1.50 |
| | | 3 | 17 | 0/-18 | 0.42 | 50 | 10 | 0.99 | 0.97 | 1.60 | 1.94 |
| | 277 | 4 | 17 | 0/-18 | 0.23 | 60 | 15 | 0.99 | 0.90 | 1.60 | 1.50 |
| | | 3 | 17 | 0/-18 | 0.20 | 50 | 15 | 0.99 | 0.97 | 1.60 | 1.94 |

Note: the above data is tested at 60Hz.

Application and Performance Specification Information Subject to Change without Notification.

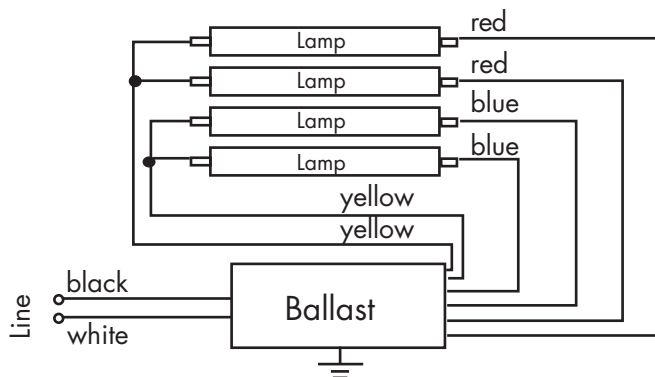
Fully meets UL&CUL safety standards.

Performance:

- Meets ANSI Standard C82.11-1993
- Meets ANSI Standard C62.41-1991
- Meets FCC 18 Non CONSUMER Limits
- NEMA Premium

Safety:

- No PCB's
- UL Listed (Class P, Type 1 Outdoor)
- OCV 600V



For the most up-to-date specs, please visit www.tcpi.com

Note: For two lamps application, cap any blue/red lead. Insulate to 600 volts.