



Compact Wall Pack



The QLS Compact Wall Pack is an all in one solution to commercial/industrial outdoor wall mount lighting. With an IP65 rated, weatherproof, aluminum case, these wall packs are designed to withstand the elements, provide plenty of light, and save energy versus HID.

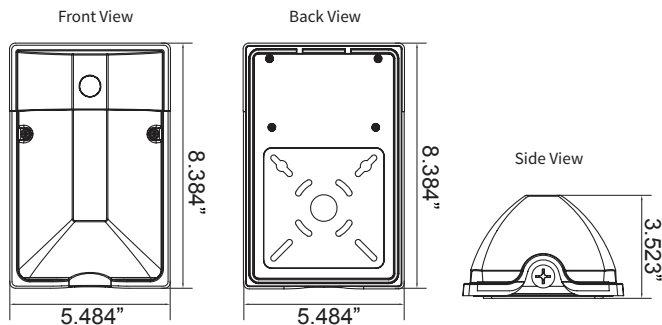
FEATURES

- Tough, aluminum frame with non-yellowing polystyrene cover
- Wet location and IP65 rated
- Insect resistant
- Mounts directly to existing wall pack fixtures
- Operating temperature: -4° to 133°F

APPLICATIONS

This product family can be effectively used in outdoor wall mount locations. Commercial, industrial, retail and healthcare exterior lighting; parking lot, cargo door, low wall, area, security, etc.

Dimensions in Inches



Approximate Luminaire Weight: 2.16 lbs

ITEM NUMBER GUIDE

ex. WP2500150

Family	Lumen Pkg	Place-holder	CCT
WP	17	001	40
	25		50

↓ ↓ ↓ ↓
WP 25 001 50

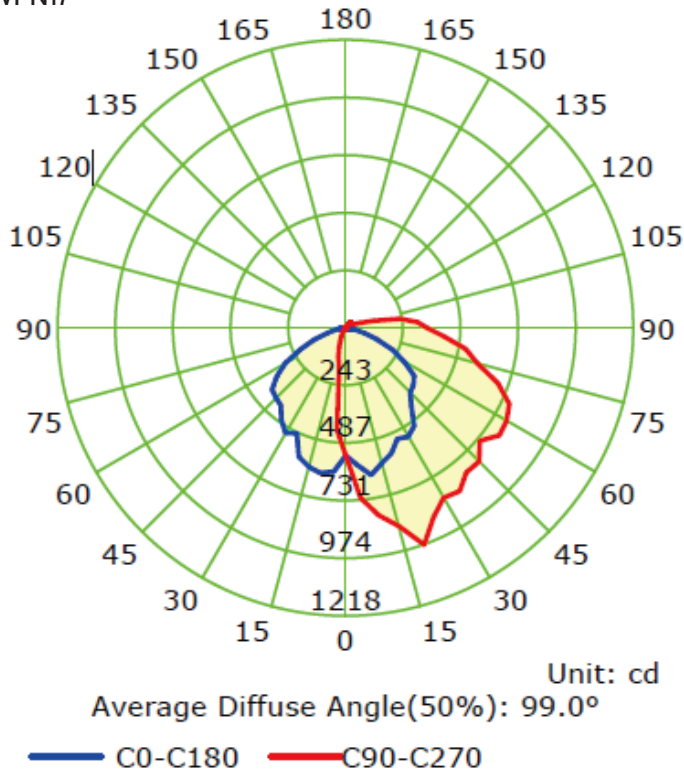
QLS	Watt.	Lumens	Eff L/W	Volt.	P.F.	Dim.	CCT	CRI	Case QTY	Watt. Equiv.	Life	L (In)	H (In)	W (In)	DLC
WP1700140	16	1700	106	AC120-277	≥0.9	No	4000	80	1	50	50000	8.34	5.5	3.5	Yes
WP1700150	16	1700	106	AC120-277	≥0.9	No	5000	80	1	50	50000	8.34	5.5	3.5	Yes
WP2500140	22	2250	102	AC120-277	≥0.9	No	4000	80	1	75	50000	8.34	5.5	3.5	Yes
WP2500150	22	2250	102	AC120-277	≥0.9	No	5000	80	1	75	50000	8.34	5.5	3.5	Yes



Warranty 5 years, UL (E493003), IP65, Intellectual Property Secure

Photometrics

LWPN17



LWPN25

