

16 Watt LED Flood Light



16 Watt LED Flood Light

Installation

Surface mounted w/supplied bracket or junction box mounted with pivot arm. Before installation, please consult your local ordinances and building codes for compliance.

Warranty

Five years against defects in manufacturing.

Listing

UL/cUL Listed - Suitable for wet locations

Application

TCP's 16W LED Flood Light is designed for rough service applications that require a wide beam flood light. Applications include machine stations such as a stamping press, inspection stations, general work space lighting, small sign lighting, building facades, and other similar applications.

Description

LEDFL16K50BL01 Black Flood Light 5000k u-bracket NEMA 5-15 Cord

LEDFL16K50BL03 Black Flood Light 5000k 6 in. Lead Pivot Arm

This LED luminaire was designed for optimum performance and is a more efficient alternative to incandescent and metal halide luminaires. The 16 Watt LED Flood Light features a 45° beam angle, is easy to install, and has a long life, making it perfect for hard to reach areas.

Construction

TCP's 16 Watt LED Flood Light features naturally rugged LEDs. It is constructed from die cast aluminum that is powder coated for a durable finish and has a shatter resistant polycarbonate lens. It is 6.75" tall (with u-bracket), 5.25" wide, 3.5" deep, and weighs 4.5 pounds. It is UL rated for wet locations (UL153). It is available with a u-bracket and cord with NEMA 5-15P plug or with a pivot arm and 6 inch leads.

Electrical

The driver is UL listed, has a power factor greater than 0.9, and an input voltage of 120-277 VAC (50/60 Hz). The Luminaire is rated at 16 watts with a THD of less than 10%.

Performance

LED Life: 50,000 hrs

CCT: White 5000°K

CRI: 70

Rated Maximum Candlepower (CBCP): 1650

Rated Beam Angle: 45°

Rated Lumens: 850

Rated Input Watts: 16

Rated Lumens per Watt: 53

Operating Temperature: -20°F ~

140°F

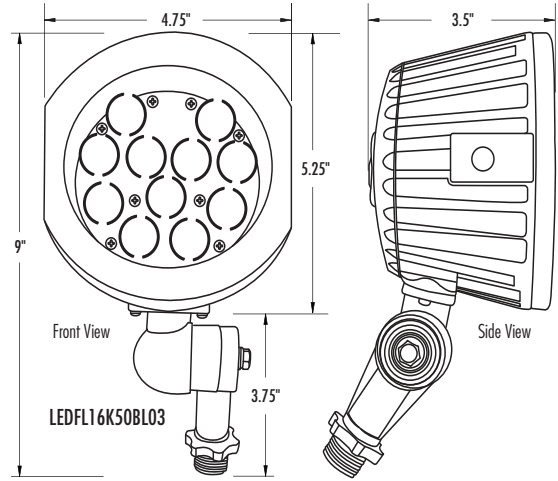
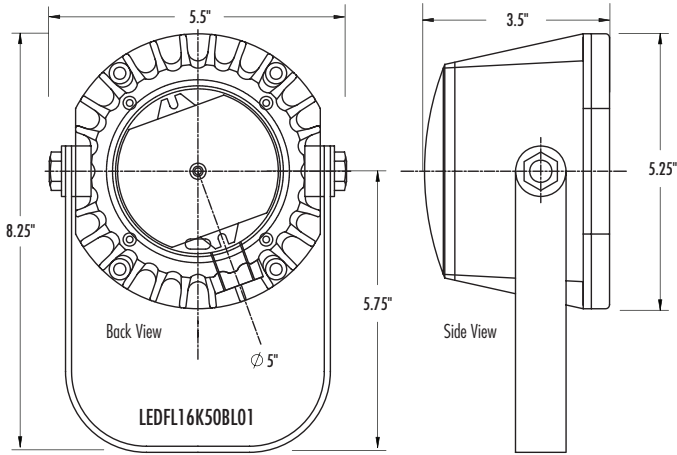
For the most up-to-date specs, please visit www.tpci.com





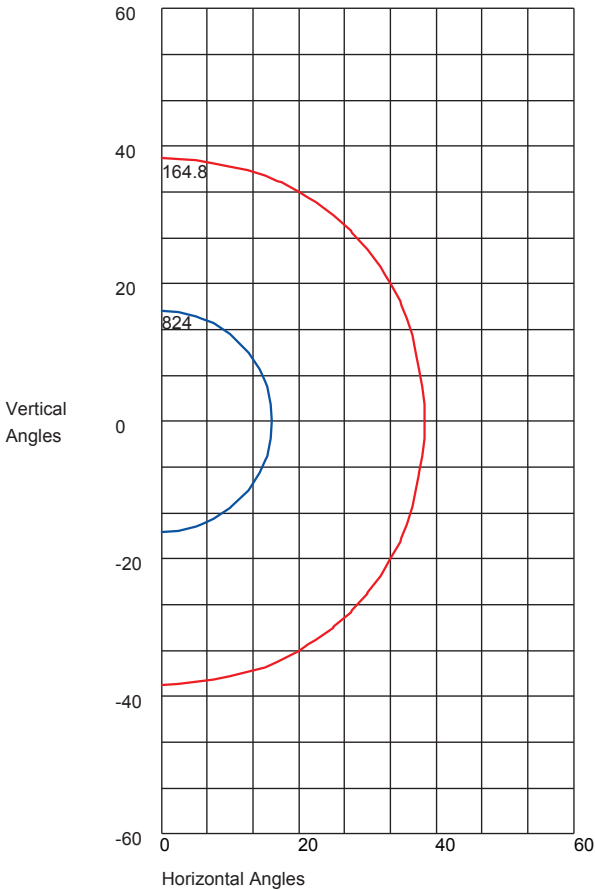
16 Watt LED Flood Light

Dimensions & Construction



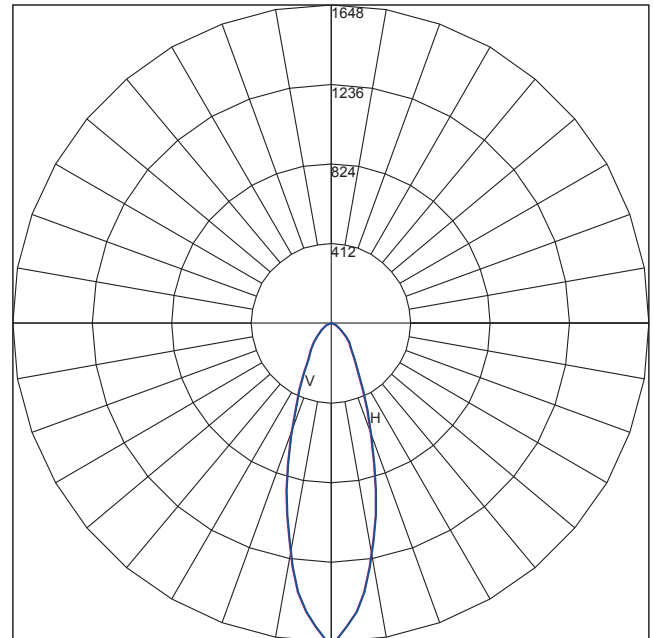
Photometric Report

Isocandela Curves



Maximum Candela = 1648 Located At Horizontal Angle = 0, Vertical Angle = 0
 50% Maximum Candela = 824
 10% Maximum Candela = 164.8

Axial Candela Display



Maximum Candela = 1648 Located At Horizontal Angle = 0, Vertical Angle = 0
 H - Horizontal Axial Candela
 V - Vertical Axial Candela

Photometric Report

NEMA Type	5 H x 5 V
Maximum Candlepower	1648
Maximum Candlepower Angle	0H 0V
Horizontal Beam Angle	32.2 deg
Vertical Beam Angle	32.2 deg
Total Lumens	874
Total Input Watts(120V)	17.171
Luminaire Efficacy Rating (LER)	51%

For the most up-to-date specs, please visit www.tcp.com

TCP, Inc.

325 Campus Dr. | Aurora, Ohio 44202 | P: 800-324-1496 | tcp.com

©TCP, Inc. AUG 2013 / S1026